



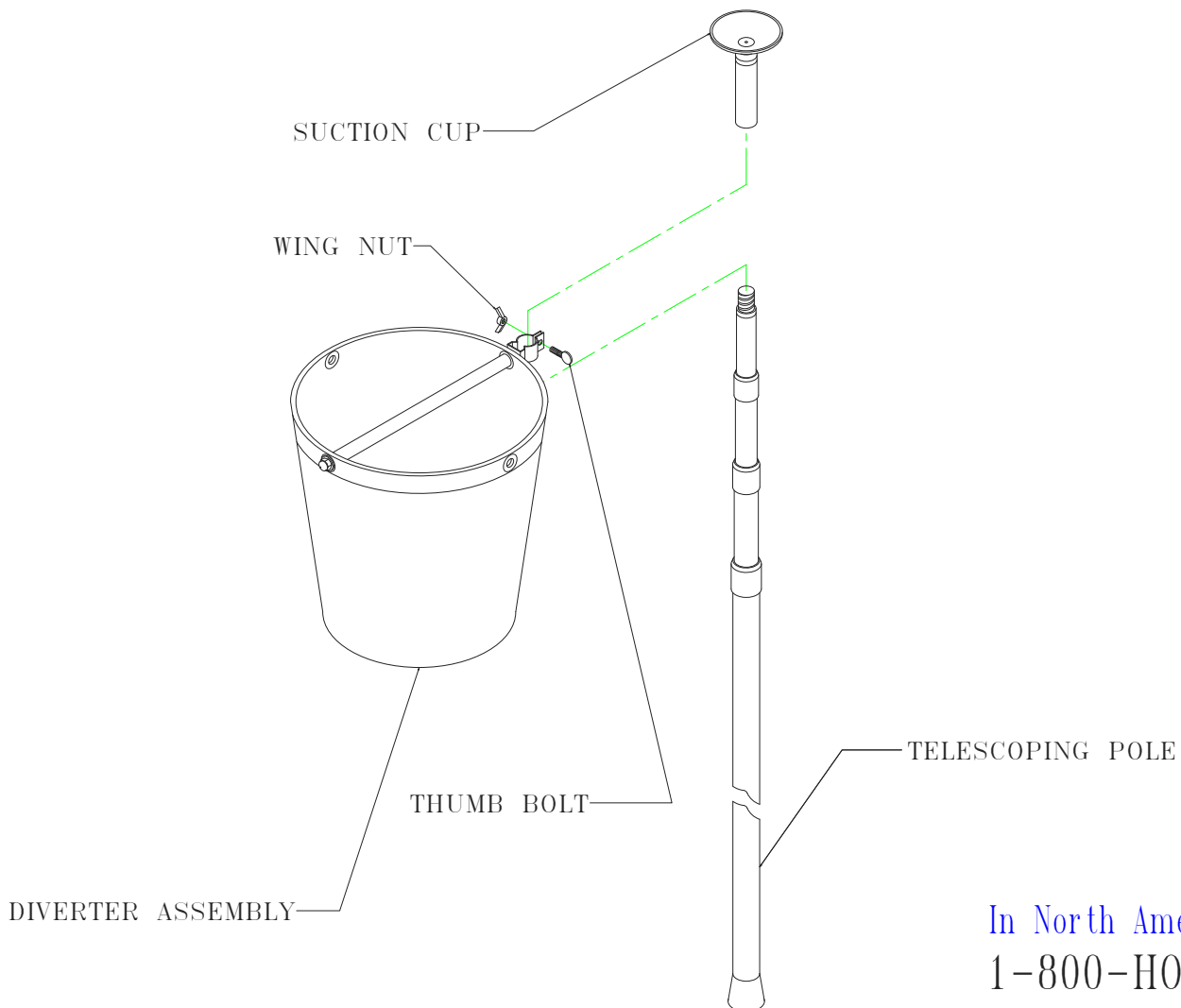
TLS564

TELESCOPING POLE DIVERTER

ASSEMBLY INSTRUCTIONS

STEPS

- 1 PLACE DIVERTER ASSEMBLY OVER THE END OF THE POLE AND TIGHTEN THUMB BOLT AND WING NUT.
- 2 FASTEN SUCTION CUP TO POLE.
- 3 ATTACH A HOSE TO DIVERTER WITH SUPPLIED BLUE FITTING.
- 4 ADJUST POLE TO CEILING AND DEFLECT SUCTION CUP AND POSITIONING UNDER LEAK.



In North America phone:
 1-800-HOT-HOGS[®]
www.newpig.com