

Wall-Mount Bracket for PIG Rapid Response DrainBlocker Drain Cover

Instructions

Step 1 — Mount bracket to solid surface

Choose the location where you will hang the wall-mount bracket for the PIG Rapid Response DrainBlocker Drain Cover. Make sure that the location is free from obstructions and the mounting surface is solid and level.

NOTE: If mounting the 4" DrainBlocker tube, two brackets (included) are needed to support the extra weight and size: a bracket with an L-shaped supporting lip and one without the lip.

Step 2 — Position bracket

The wall-mount brackets should be positioned so that the DrainBlocker Drain Cover tube is at eye level. Install the bracket with the supporting lip on the bottom, and the other bracket above it (fig.B).

Step 3 — Attach fasteners

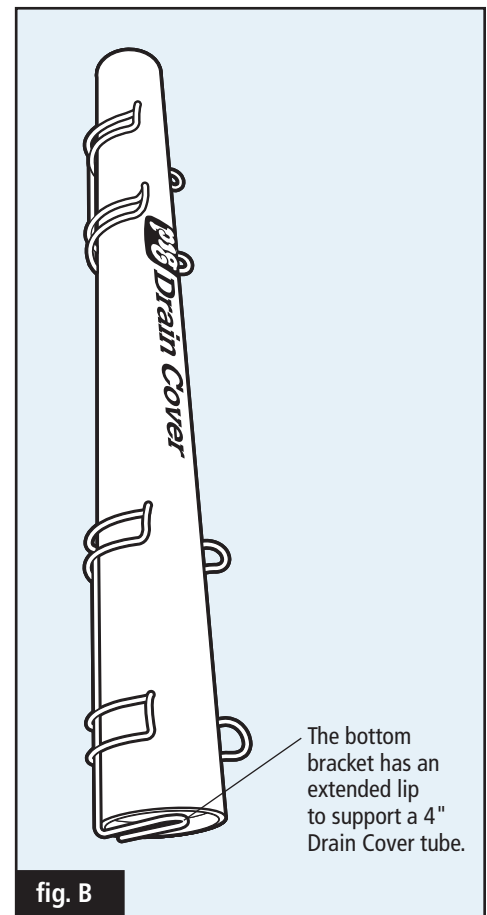
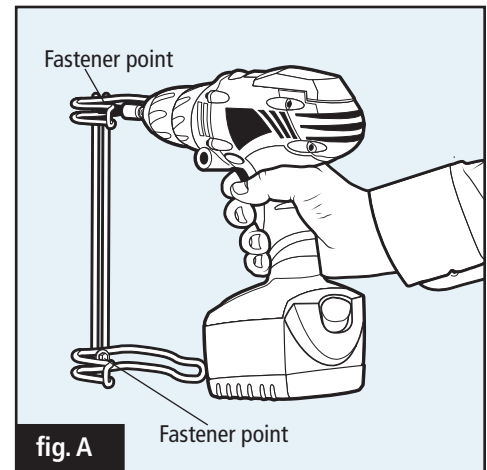
Choose low-profile fasteners (not included) that are appropriate for the mounting surface and that will fit as flush as possible with the bracket. Insert the fasteners in the two points indicated (for each bracket) (fig. A).

Step 4 — Insert tube

Hold the Rapid Response DrainBlocker tube with the label facing outward and insert into the bracket starting at the bottom. The two spring-loaded clamps will hold the tube securely.

Step 5 — Remove tube

Remove the tube from the wall-mount bracket by pulling gently straight out. The two spring-loaded clamps will easily release the tube.



New Pig

One Pork Avenue
Tipton, PA 16684-0304

newpig.com

North America: **1-800-468-4647**

Europe: **+31 (0)76 596 92 50**

China: **+86-21-400 921 5178**

PIG, PIG logo are registered trademarks in USA and other countries. See tm.newpig.com

UK: **0800 919 900**

Outside North America: **+1-814-684-0101**

165983 / 352640