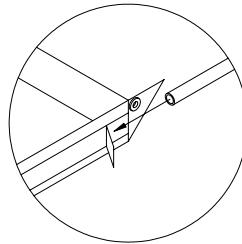




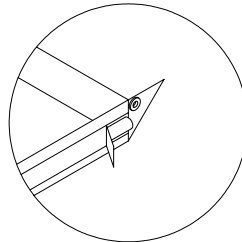
7/25/02

TLS561 TROUGH STYLE LEAK DIVERTER

STEP 1 INSERT PIPE INTO POCKET.



STEP 2 ALIGN END OF PIPE WITH EDGE OF UNIT.

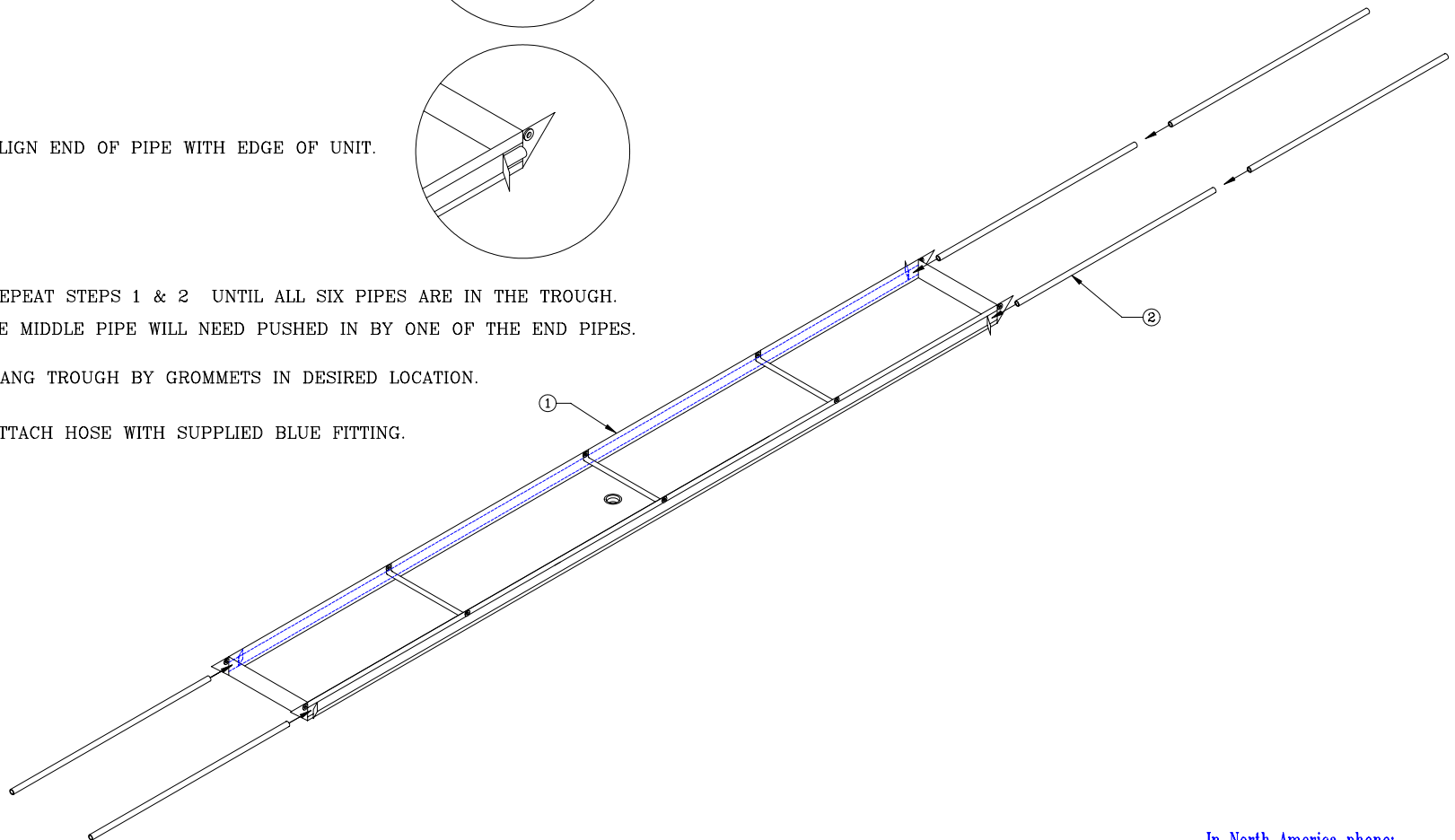


STEP 3 REPEAT STEPS 1 & 2 UNTIL ALL SIX PIPES ARE IN THE TROUGH.

NOTE: THE MIDDLE PIPE WILL NEED PUSHED IN BY ONE OF THE END PIPES.

STEP 4 HANG TROUGH BY GROMMETS IN DESIRED LOCATION.

STEP 5 ATTACH HOSE WITH SUPPLIED BLUE FITTING.



In North America phone:
1-800-HOT-HOGS®
www.newpig.com