



PIG[®] Drum Overfill Preventer

New Pig

One Pork Avenue
Tipton, PA 16684-0304

newpig.com

North America:
1-800-468-4647

Europe:
+31 (0)76 596 92 50

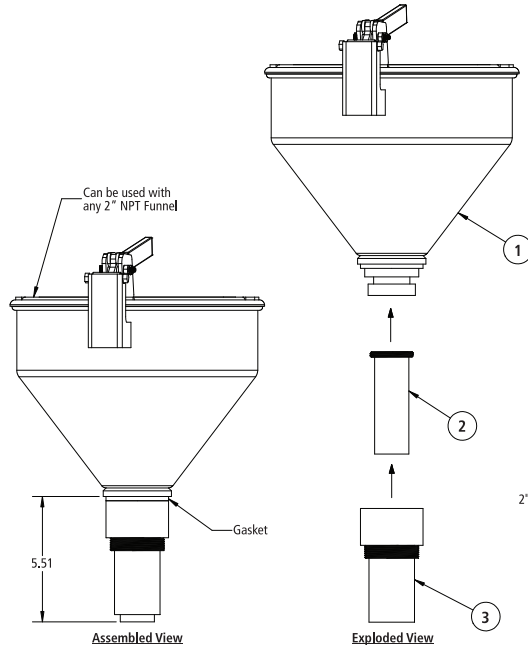
UK:
0800 919 900

China:
+86-21-400 921 5178

Outside North America:
+1-814-684-0101

PIG, PIG logo are registered trademarks in USA and other countries. See tm.newpig.com

Assembly Instructions



1. Thread the inner tube (2) into the funnel base adapter (1). Make sure it is hand-tight.
2. Thread the outer tube (3) onto the funnel base adapter (1). Tighten with a wrench, making sure the gasket seals on both sides.
3. Install funnel and preventer assembly onto a drum. Make sure the funnel assembly is tight on the drum. Also, make sure the $\frac{3}{4}$ " bung is airtight to ensure 100% effectiveness of the preventer.

