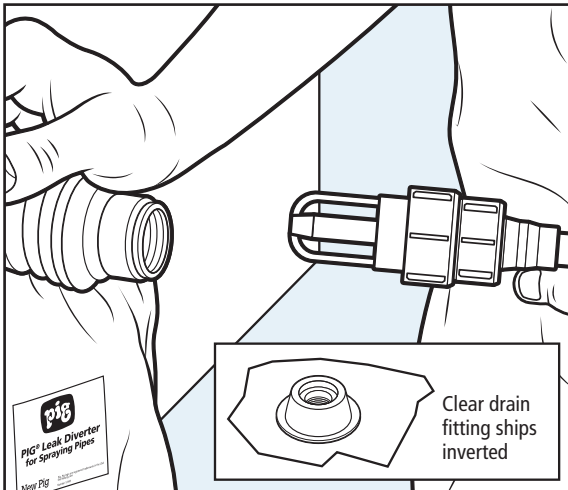
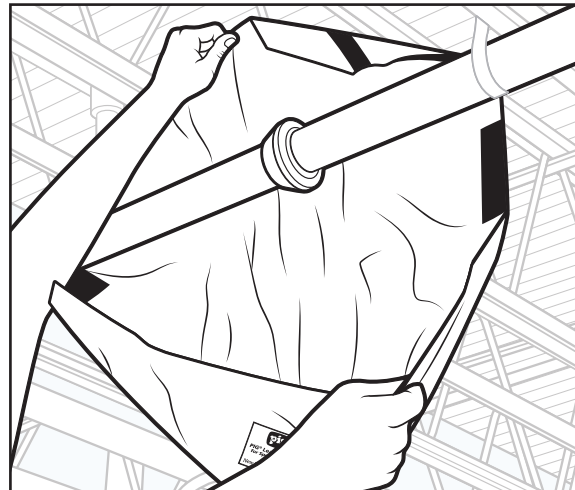


PIG Leak Diverter for Spraying Pipes

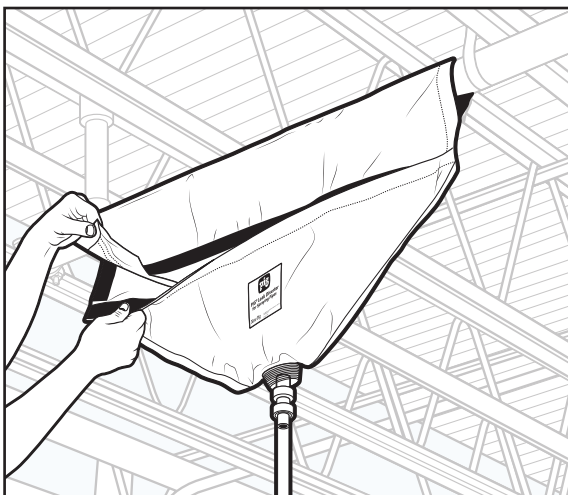
Instructions



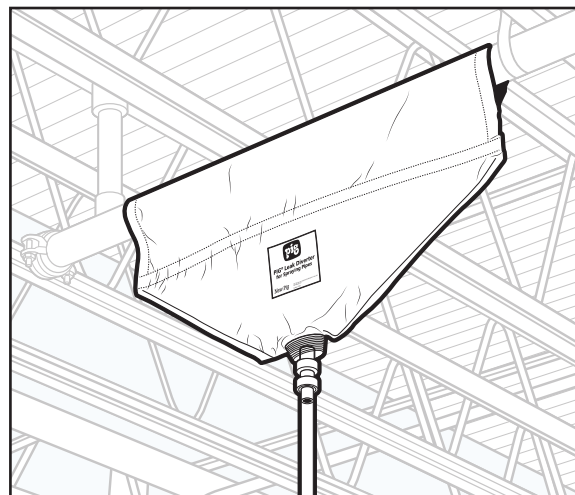
1. Identify and invert the clear drain fitting in the middle of the unit so the fitting is on the outside of the unit with external threads exposed. Install hose adapter.



2. Pull the hook and loop fasteners apart and wrap unit over the top of the leaking pipe area. Make sure the attached hose is on the bottom, facing down.



3. Reattach matching hook and loop closures in each corner, then reattach all other closures until unit fits snug to pipe.



4. Make sure unit is centered on the leak and position hose in drain receptacle or collection container.

NOTES:

- Limited chemical resistance
- Not suitable for temperatures over 190° F
- PIG Leak Diverter will divert up to 3.33 gallons of liquid per minute when used with a 1/2" ID hose.



New Pig

One Pork Avenue
Tipton, PA 16684-0304

newpig.com

North America: **1-800-468-4647**

Europe: **+31 (0)76 596 92 50**

China: **+86-21-400 921 5178**

PIG, PIG logo are registered trademarks in USA and other countries. See tm.newpig.com

UK: **0800 919 900**

Outside North America: **+1-814-684-0101**