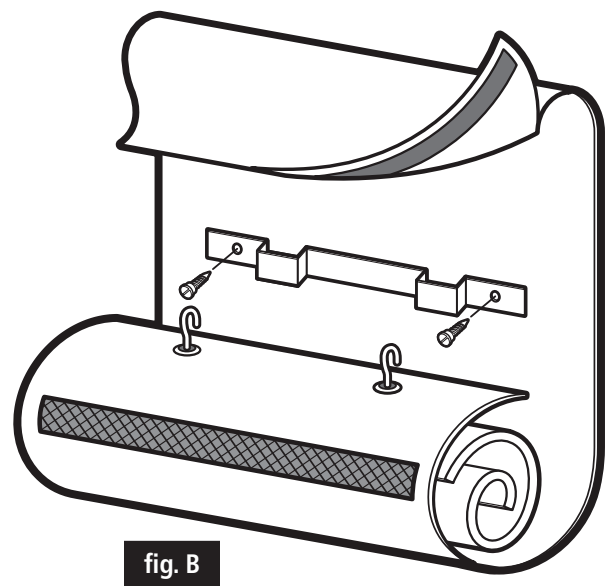
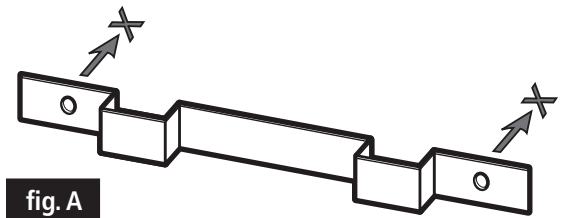


# PIG Drain Cover Wall-Mount Holder

## Instructions

- Step 1** – Remove Bracket and DrainBlocker Drain Cover Holder from box.
- Step 2** – Position Bracket in desired location, aligning holes with wall studs or a concrete block wall. Mark holes on wall. (fig. A)
- Step 3** – Drill proper diameter holes in stud or concrete block wall. Use anchors when mounting to a concrete block wall.
- Step 4** – Align grommet holes in the Drain Cover Holder with drilled holes. Make sure “S” hooks on the Drain Cover Holder are on the bottom. Place bracket over Drain Cover Holder and align holes.
- Step 5** – Fasten the Bracket and Drain Cover Holder to the wall with screws or lags if mounting to a concrete block wall. (fig. B)
- Step 6** – Place the DrainBlocker Drain Cover in the Holder below the bracket. Pull the Holder over the Drain Cover and attach the “S” hooks to the offsets in the Bracket. Pull top of Cover over Drain Cover and fasten with hook and loop strip to the bottom part of Cover. (fig. B)



**New Pig**

One Pork Avenue  
Tipton, PA 16684-0304

**newpig.com**

North America: **1-800-468-4647**

Europe: **+31 (0)76 596 92 50**

China: **+86-21-400 921 5178**

PIG, PIG logo are registered trademarks in USA and other countries. See [tm.newpig.com](http://tm.newpig.com)

UK: **0800 919 900**

Outside North America: **+1-814-684-0101**

502933 / 361345