

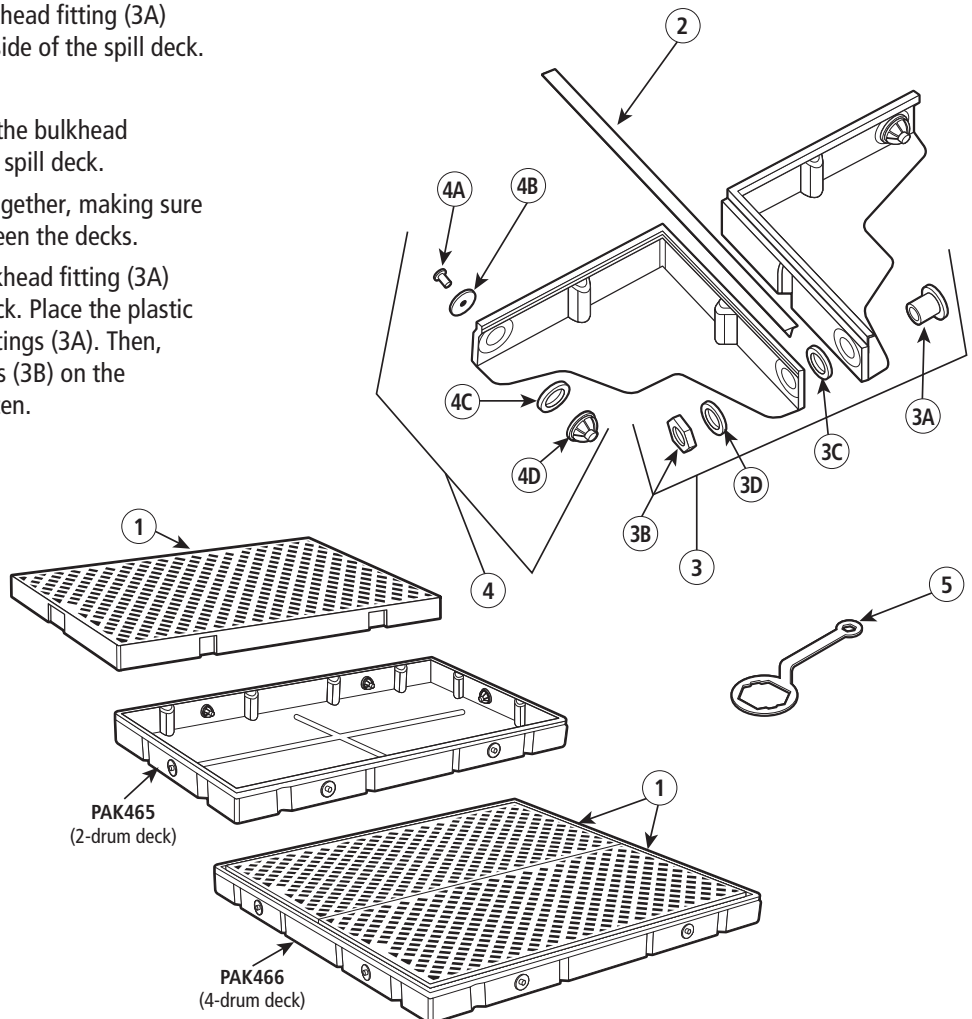
PIG Heavy-Duty Poly Modular Spill

Assembly Instructions – Connecting Multiple Modular Spill Decks (PAK465, PAK466)

- Step 1** Remove grate(s) (1) and plug assemblies (4) from units to be connected.
- Step 2** Remove bulkhead fitting assemblies (3) and channel(s) (2) from box.
- Step 3** Align the units so that the holes will match up to each other. Leave about a six inch gap between the units.
- Step 4** Take a bulkhead fitting assembly and remove the reverse-threaded hex nut (3B) plastic washer (3D) and rubber washer (3C). Place bulkhead fitting (3A) through one of the holes on the inside of the spill deck.
- Step 5** Repeat step 3 for other holes.
- Step 6** Place the rubber washer (3C) over the bulkhead fitting(s) (3A) on the outside of the spill deck.
- Step 7** Carefully pull the two spill decks together, making sure the rubber washer (3C) stays between the decks.
- Step 8** Align the two decks and insert bulkhead fitting (3A) through mating hole(s) in other deck. Place the plastic washers (3D) over the bulkhead fittings (3A). Then, place the reverse threaded hex nuts (3B) on the bulkhead fittings (3A). Do not tighten.

- Step 9** Place the channels (2) between the edges where the two spill decks meet. Silicone caulk can be used, if desired.
- Step 10** Once the whole deck assembly is configured, use the provided wrench (5) to tighten the hex nuts (3B) evenly, making sure the rubber washers (3C) are compressed.
- Step 11** Place the (1) grates back into the decks.

Item #	Part #	Description
1	PAK469	26" x 52" Grate
2	70263	Channel
3	PAK561	Bulkhead Fitting Assembly
3A	————	Bulkhead Fitting
3B	————	Hex Nut
3C	————	Rubber Washer
3D	————	Plastic Washer
4	PAK578	Plug Assembly
4A	————	3/8" – 16UNC x 3/4" Bolt
4B	————	1/16" Thick Washer
4C	————	Neoprene Washer
4D	————	Plug base
5	600037	Wrench



NOTE: Make sure all plug assemblies are tight before putting this product in use.



New Pig

One Pork Avenue
Tipton, PA 16684-0304

newpig.com

North America: **1-800-468-4647**

Europe: **+31 (0)76 596 92 50**

China: **+86-21-400 921 5178**

PIG, PIG logo are registered trademarks in USA and other countries. See tm.newpig.com

UK: **0800 919 900**

Outside North America: **+1-814-684-0101**

502589 / 355928