

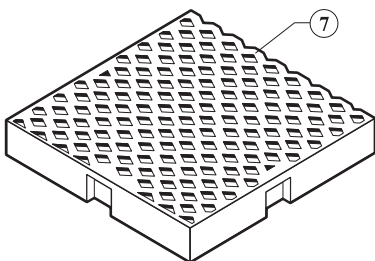
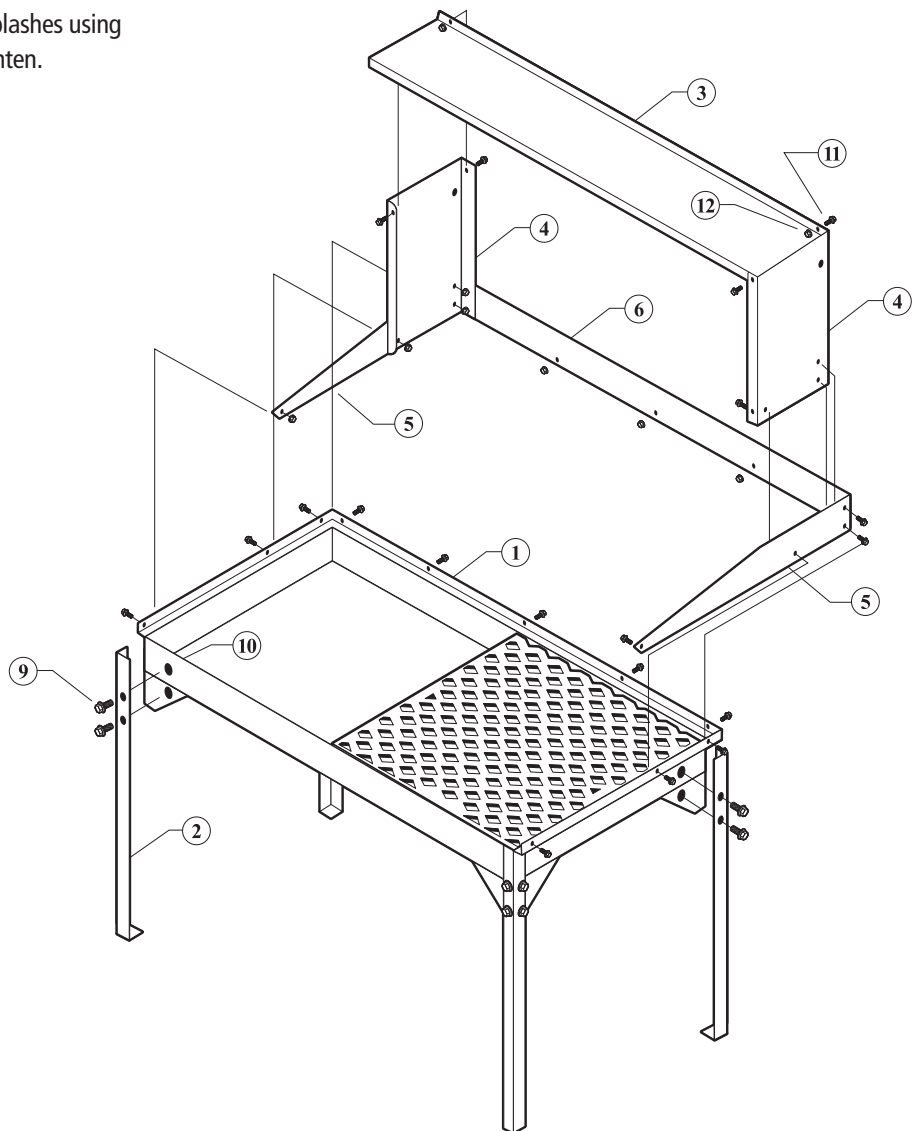
PIG Drain 'N Contain Workbench

Assembly Instructions – (PAK399)

- Step 1** Attach legs to bench with $\frac{5}{16}$ " – 18UNC flange bolts and nuts and then tighten.
- Step 2** Attach back splash to the bench with the center hole only using the $\frac{1}{4}$ " – 20UNC bolt and nut.
- Step 3** Attach both side splashes to bench with front hole only using $\frac{1}{4}$ " – 20UNC bolt and nut.
- Step 4** Attach shelf supports to the bench and splashes using $\frac{1}{4}$ " – 20UNC bolts and nuts and then tighten.

- Step 5** Attach shelf to the shelf supports using $\frac{1}{4}$ " – 20UNC bolts and nuts and then tighten.
- Step 6** Use the remaining $\frac{1}{4}$ " – 20UNC bolts and nuts in the vacant holes.
- Step 7** Fasten $\frac{1}{2}$ " MIP plug to drain hole in the bottom of bench.

Item #	Description	Quantity
(1)	Bench	1
(2)	Leg	4
(3)	Shelf	1
(4)	Shelf Support	2
(5)	Side Splash	2
(6)	Back Splash	1
(7)	Grate	2
(8)	$\frac{1}{2}$ " MIP Plug	Not Shown
(9)	$\frac{5}{16}$ " – 18UNC Flange Bolt	16
(10)	$\frac{5}{16}$ " – 18UNC Flange Nut	16
(11)	$\frac{1}{4}$ " – 20UNC Bolt	17
(12)	$\frac{1}{4}$ " – 20UNC Flange Nut	17



New Pig

One Pork Avenue
Tipton, PA 16684-0304

newpig.com

North America: **1-800-468-4647**

Europe: **+31 (0)76 596 92 50**

China: **+86-21-400 921 5178**

PIG, PIG logo are registered trademarks in USA and other countries. See tm.newpig.com

UK: **0800 919 900**

Outside North America: **+1-814-684-0101**

502428 / 351771