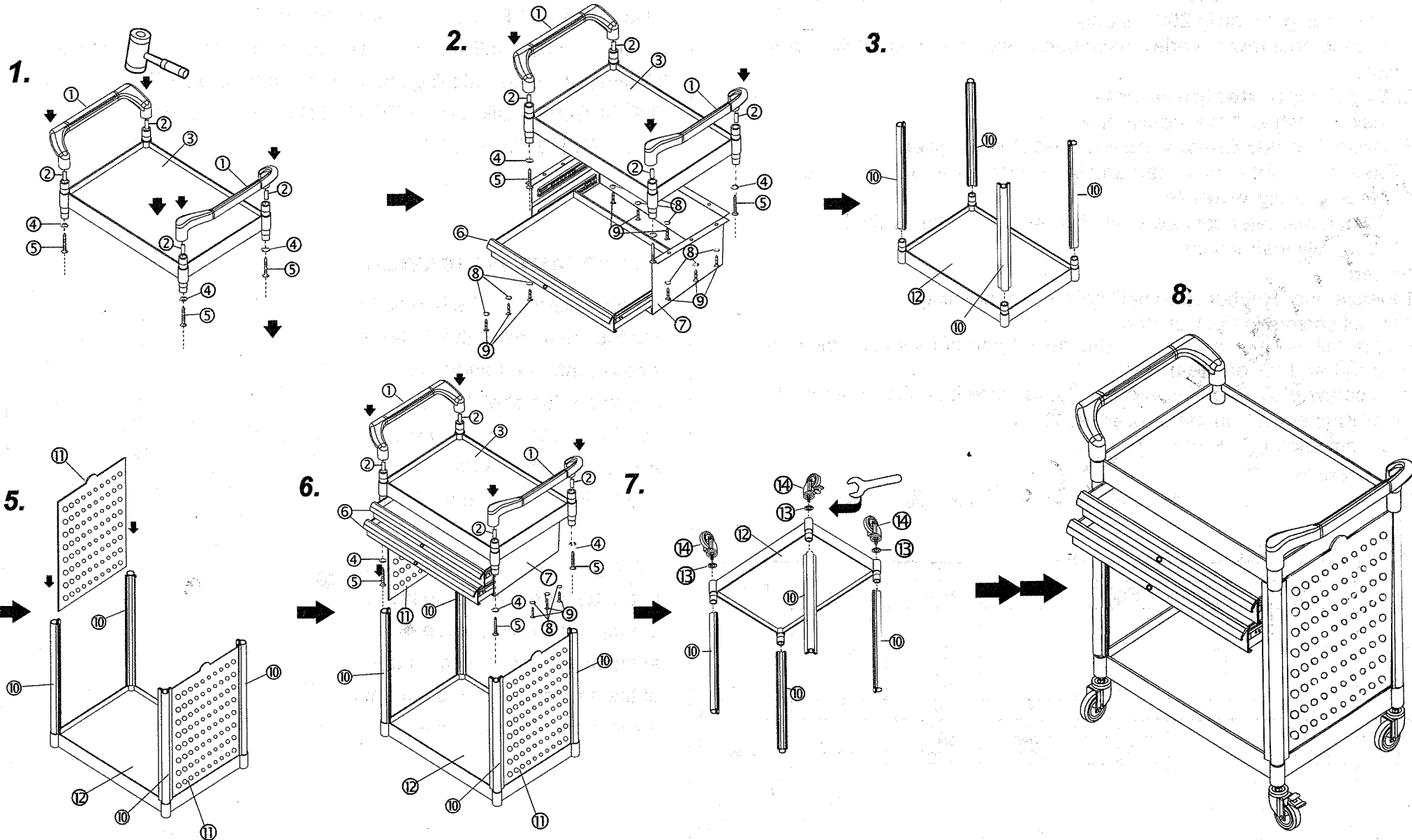


# MODEL # CSC-2D 2 Shelf Tool Trolley w/ 2 drawers and Display Board

★Caution: Please use RUBBER hammer only to assemble cart.



# MODEL # CSC-2D 2 Shelf Tool Trolley w/ 2 drawers and Display Board

## 1. Durable construction

The service cart loading capacity maximum is 150kgs per shelf, and total loading capacity 250kgs only.  
Only the best raw materials have been used in the production of service carts.

## 2. Ergonomic design handle

Easy to push and manoeuvre the cart.

## 3. Creative KD (knock down parts) designed

Easy to assemble each part and by convenience tools finished.

## 4. Heavy-duty wheels

100 mm diameter castors 2 with brakes and 2 plain swivel.  
\*Assembly Instructions\*

## Noted

1. Please use "Rubber Hammer" only for assembling.

2. Install castors in the last step.

A. Upper shelf ③ + Handles ① (hit the flat part of handle as picture), screw ④ and ⑤ on the upper shelf.

B. To screw ⑧ & ⑨ on Drawer set ⑦, to place it on the upper shelf ③, install drawers ⑥ on the drawer set ⑦.

C. Bottom shelf ⑨ + tubes ⑦

D. Assemble A+C

E. Turn the cart up-side down and then bolt Castor ⑭ + washer ⑬.

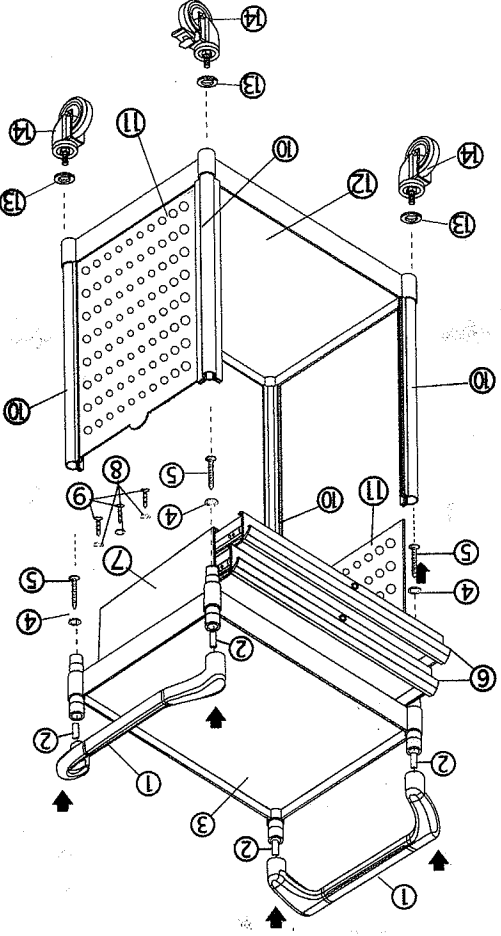
## Parts List :

No.	Model	Image	Qty
1	Push handle		2
2	Plastic hose		4
3	Upper shelf		1
4	Washer		4
5	Screw		4
6	Drawer		2
7	Drawer Set		2
8	Washer		8
9	Screw		9
10	Holder tube		10
11	Side panel		11
12	Bottom Shelf		12
13	Washer		13
14	Caster		14
15	Washer		4
16	Caster		4

## IMPORTANT INDICATION:

When assembling the handle to the top shelf, insert the 2 plastic sleeves into the handle and attach the top shelf to the handle and then insert the 2 screws from the underside of shelf and tighten screws firmly.

Once you have secured handle to the top shelf, you then place the top shelf onto the top 4 aluminum tubes, sitting on top of the second shelf and hammer down, until firmly in place.



## CAUTION:

1. Don't use STEEL-hammer when assembling.

2. Note the short anti spill lip on shelves to be set on the front side.  
3. Warning! When installing shelves onto tubes, DON'T OVER HIT THE SHELVES OR APPLY TO MUCH FORCE IN THE

HAMMERING PROCESS.