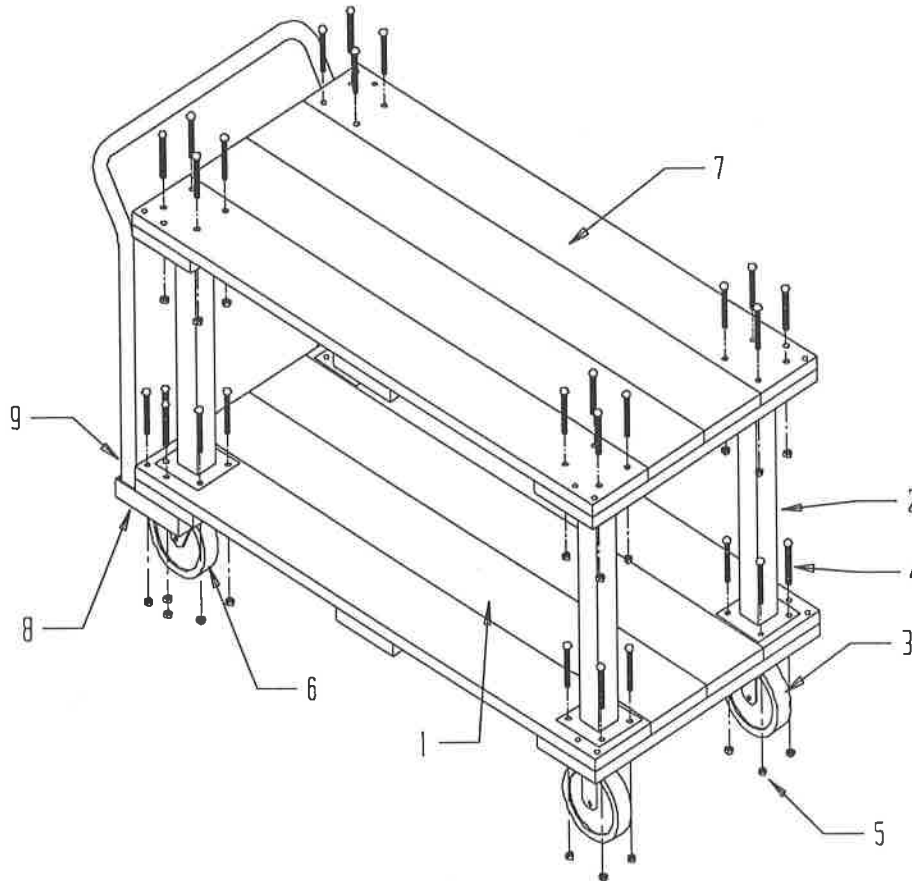


## VHPT/D Assembly Instructions



Take 1 hardwood deck (1) and match up 1 post (2) with 4 inner holes along top side (flat) and match 1 rigid wheel (3) with same holes from bottom side. Bolt together with 3/8" carriage bolts (4) and secure with 3/8" hexnuts (5). Repeat with other 4 inner holes at same end of deck. At other end of deck match 1 post (2) with 4 inner holes along top side and match 1 swivel wheel (6) with same holes from bottom side. Bolt together with 3/8" carriage bolts (4) and secure with 3/8" hexnuts (5). Repeat with other 4 inner holes at same end of deck.

Take other hardwood deck (7) and align 4 inner holes at each corner with plate holes at end of secured posts (2) from bottom deck. Bolt together with 3/8" carriage bolts (4) and secure with 3/8" hexnuts (5).

At end with swivel wheels (6) match brackets (8) with two outer holes remaining on each side from the bottom side and bolt together with 3/8" carriage bolts (4) and secure with 3/8" hexnuts (5). To complete assembly slide handle (9) into brackets.