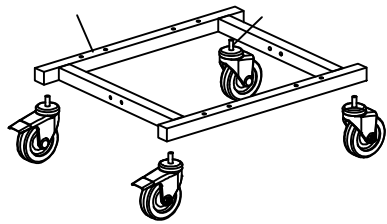
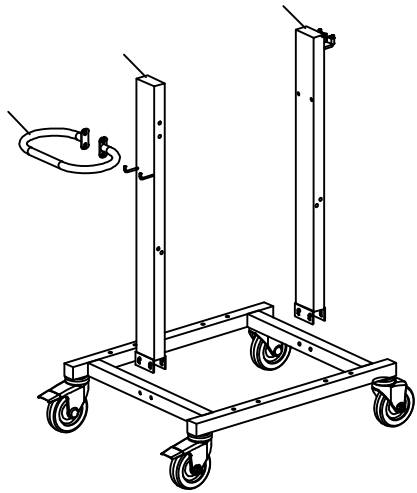


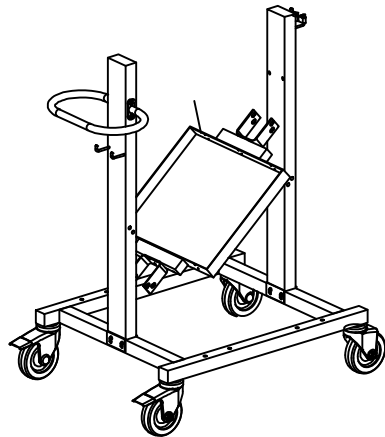
Cart Installation Instructions



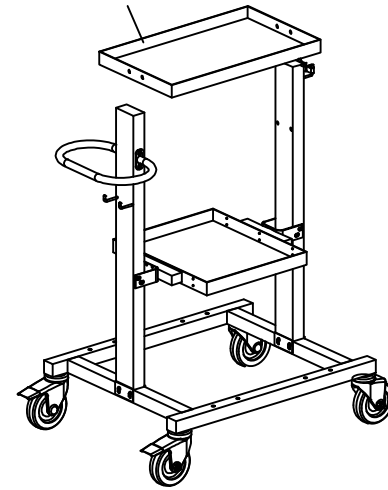
Step One:
Install two casters with brakes(#1)into the bottom frame(#3).Then install the other two casters(#2)into the bottom frame(#3).



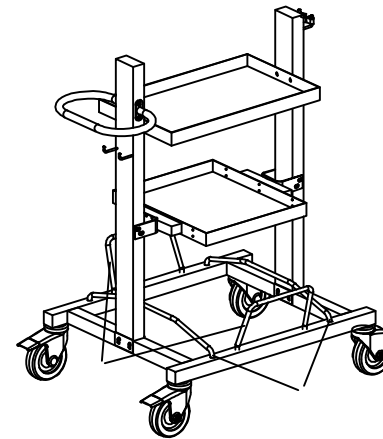
Step Two:
Connect handle(#4)to the cylinders(#5) with screws.Then install both cylinders(#5 & #6) to the frame(#3) with screws.NOTE: #5 cylinder must be on the side of the casters with brakes.#5 cylinder has lower hooks and #6 has higher hooks.



Step Three:
Install the middle tray (#7) between the cylinders(#5 & #6) on the frame(#3). Support the bottom of the tray(#7) to get screws in level.Note:Tray #7 is smaller and square.



Step Four:
Install the top metal tray(#8) between the cylinders (#5 & #6) on the frame(#3). Support the bottom of the tray(#8) to get screws in level.



Step Five:
Put the metal bars (#9 & #10) on the top of the bottom frame (#3), angled outwards.Check that all screws are screwed in properly and finish the installation process.

ITEM#	DETAIL PIC	QTY	ITEM#	DETAIL PIC	QTY
		2			1
		2			1
		1			1
		1			2
		1			2