

Assembly Instructions

Luxor[®] Workbench with Pigeonhole Bins

The guide on the following page(s) was provided by the supplier. New Pig Corporation assumes no responsibility, obligation, or liability in conjunction with the use or misuse of the information.



New Pig

One Pork Avenue
Tipton, PA 16684-0304

newpig.com

North America: **1-800-468-4647**

Europe: **+31 (0)76 596 92 50**

China: **+86-21-400 921 5178**

UK: **0800 919 900**

Outside North America: **+1-814-684-0101**

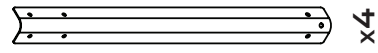
PIG, PIG logo are registered trademarks in USA and other countries. See tm.newpig.com

365700

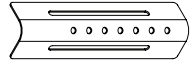
DTWS002 Shop Desk Installation Instructions

Tools Required:
Philips Head Screwdriver, Hex Wrench,
Allen Wrench (included)

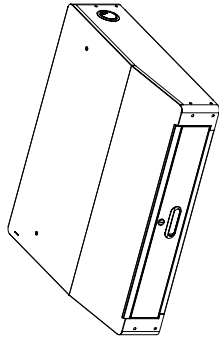
Parts Key



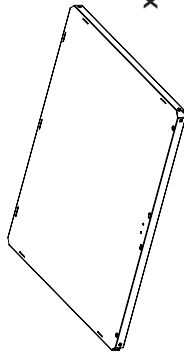
x4



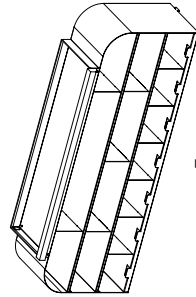
x4



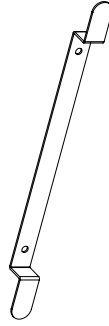
x1



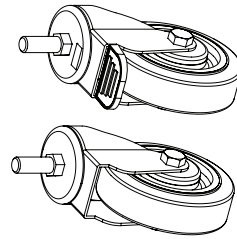
x1



x1



x1

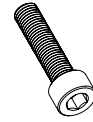


x2



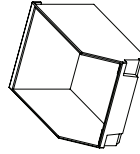
Phillips head
screws
M6x16mm

x30



Hex head
screws
M6x25mm

x2

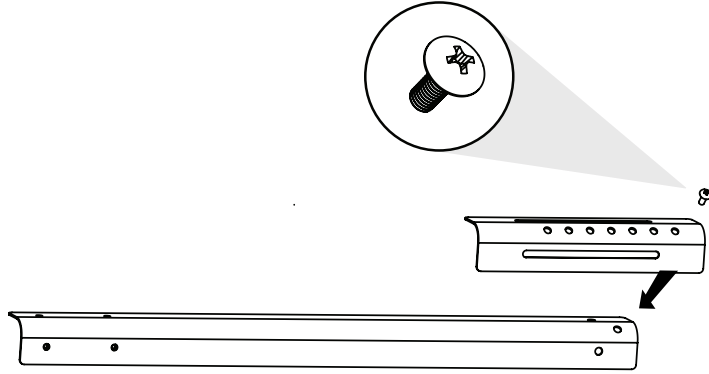


x7

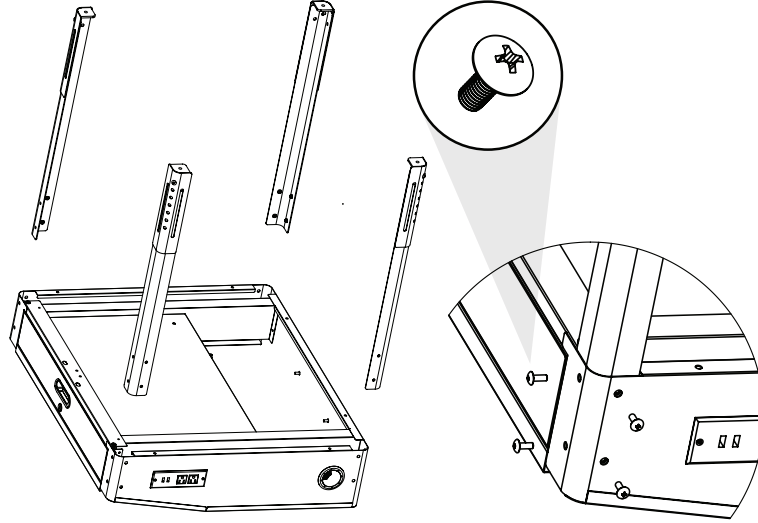


x2

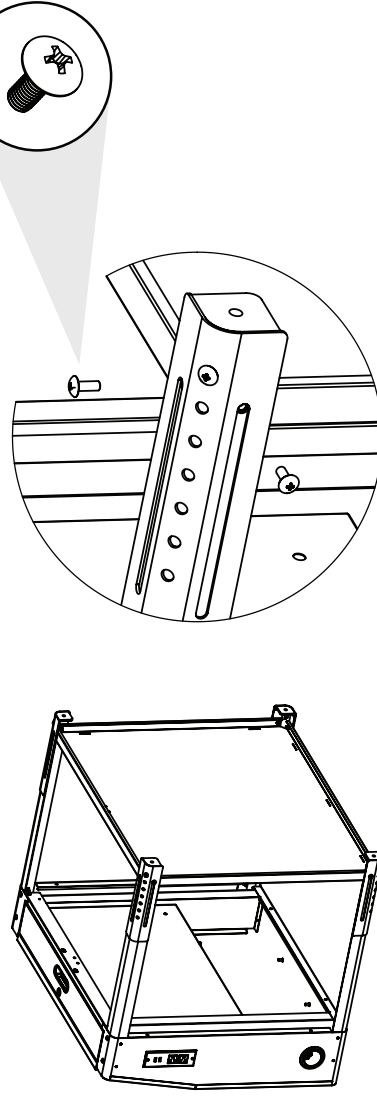
1 Attach inner legs to outer legs at your desired height using Philips head screws (M6x16mm).
Do this with all 4 legs.



2 Insert all 4 legs into the upper cabinet. Secure using 4 Philips head screws (M6x16mm) per leg.



3 Insert the shelf between the legs. Secure the shelf to each leg using 2 Philips head screws (M6x16mm screws) per leg.

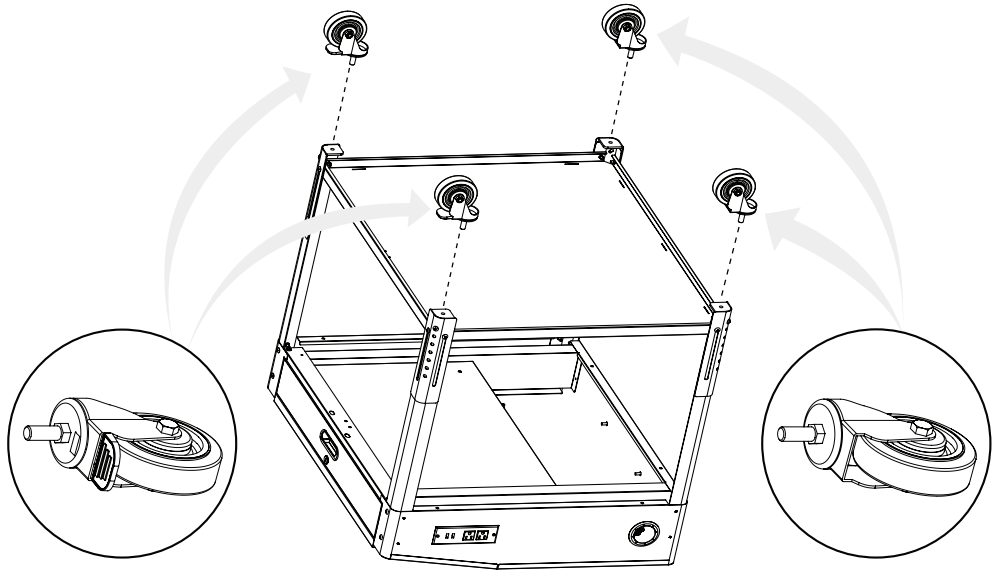


Tools Required:

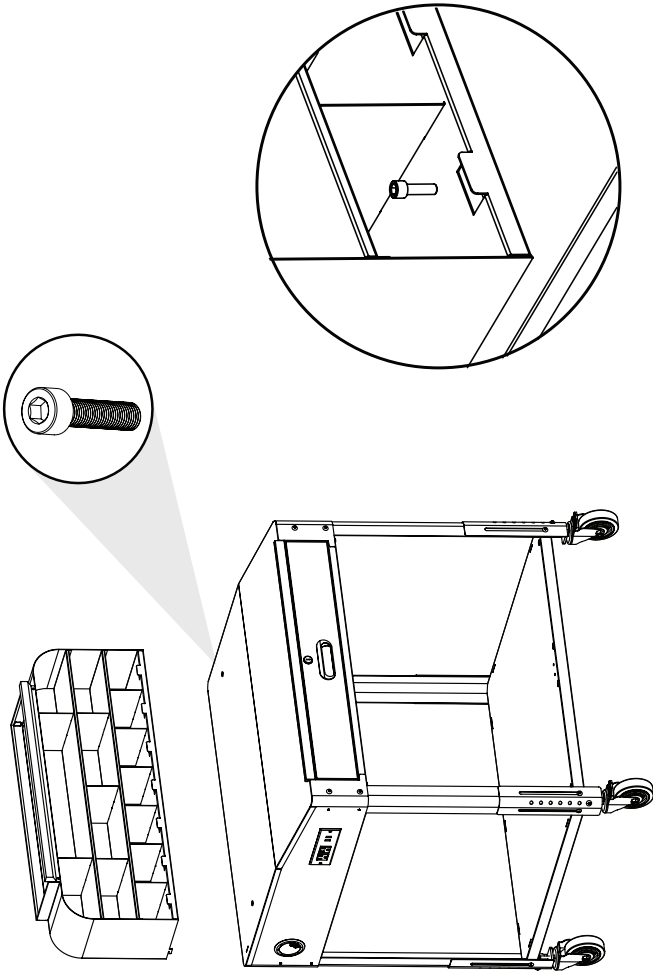
Phillips Head Screwdriver, Hex Wrench,
Allen Wrench (Included)

www.luxorworkspaces.com
800-323-4656

4 Insert 1 caster into each leg.



5 Place the storage rack on top of the work surface. Secure in place using 2 hex head screws (M6x25mm).



6 Attach the cord wrap to the rear side of the work surface using 2 hex head screws (M6x16mm).

