

Assembly Instructions

Luxor[®] Industrial Workbench

The guide on the following page(s) was provided by the supplier.
New Pig Corporation assumes no responsibility, obligation, or
liability in conjunction with the use or misuse of the information.



New Pig

One Pork Avenue
Tipton, PA 16684-0304

newpig.com

North America: **1-800-468-4647**

Europe: **+31 (0)76 596 92 50**

China: **+86-21-400 921 5178**

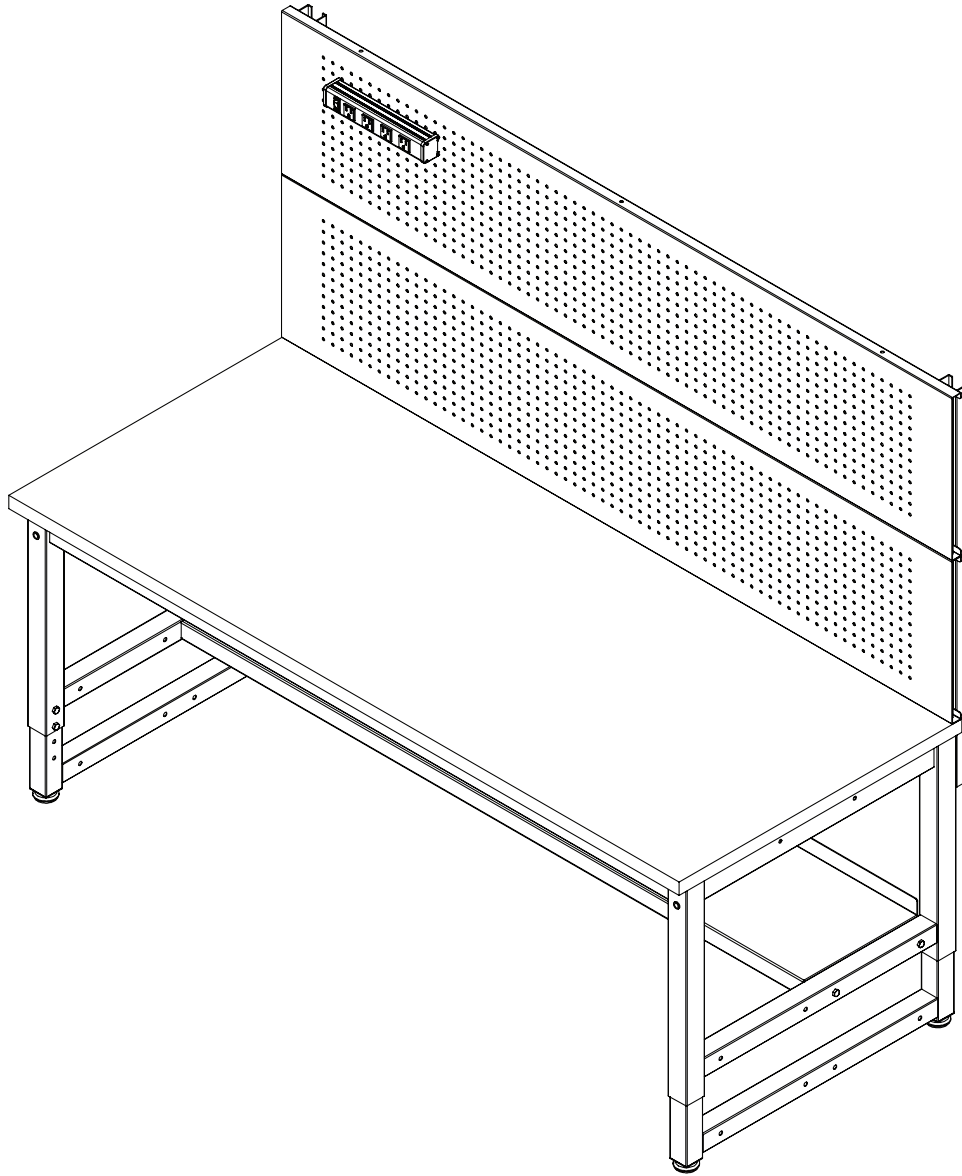
UK: **0800 919 900**

Outside North America: **+1-814-684-0101**

PIG, PIG logo are registered trademarks in USA and other countries. See tm.newpig.com

365699

WAREHOUSE WORKBENCH - DTWS001



LUXOR
WORKSPACES

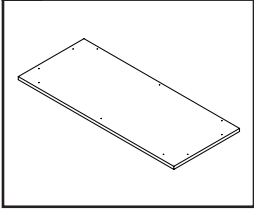
Questions or concerns?
Contact us directly!



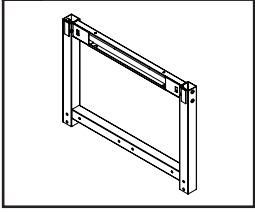
1-800-323-4656
Info@LuxorWorkspaces.com

PARTS INCLUDED NOT TO SCALE

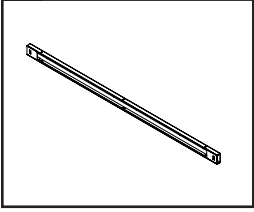
A QTY: 1



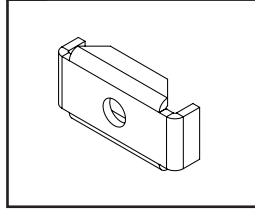
B QTY: 2



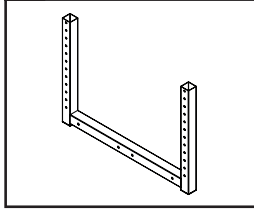
C QTY: 2



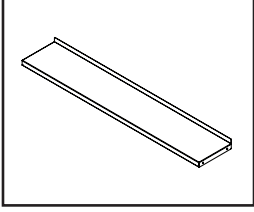
D QTY: 4



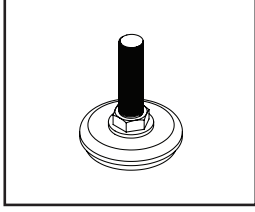
E QTY: 2



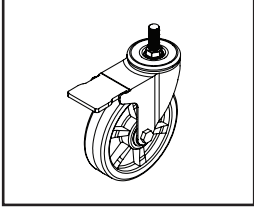
F QTY: 1



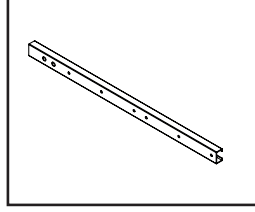
G QTY: 4



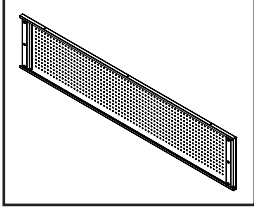
H QTY: 4



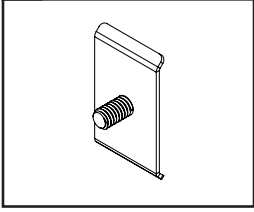
J QTY: 2



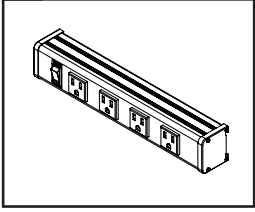
K QTY: 2



L QTY: 2

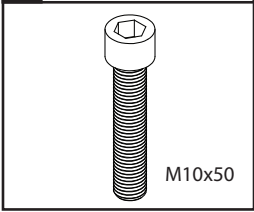


M QTY: 1

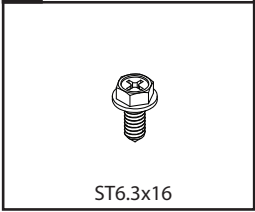


HARDWARE INCLUDED NOT TO SCALE

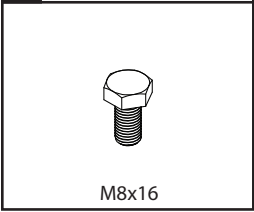
1 QTY: 4



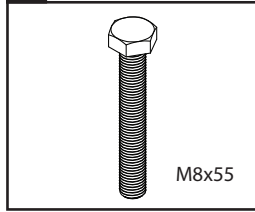
2 QTY: 13



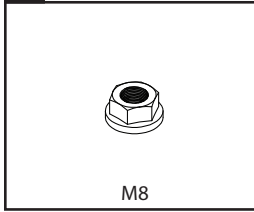
3 QTY: 12



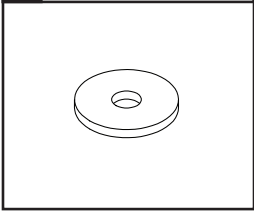
4 QTY: 4



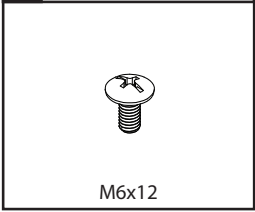
5 QTY: 4



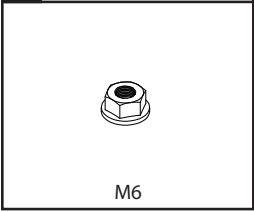
6 QTY: 4



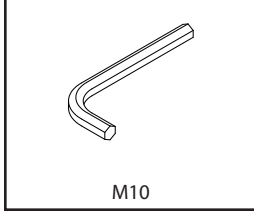
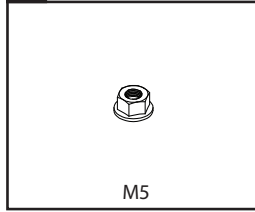
7 QTY: 15



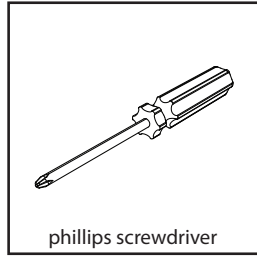
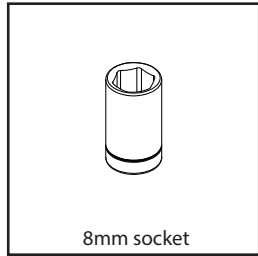
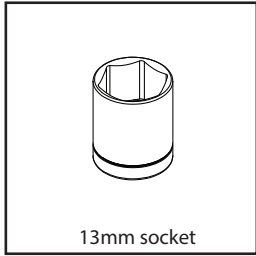
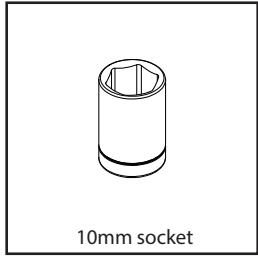
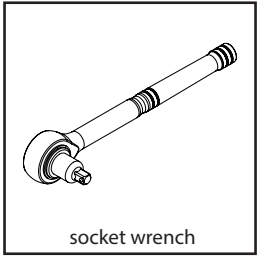
8 QTY: 3



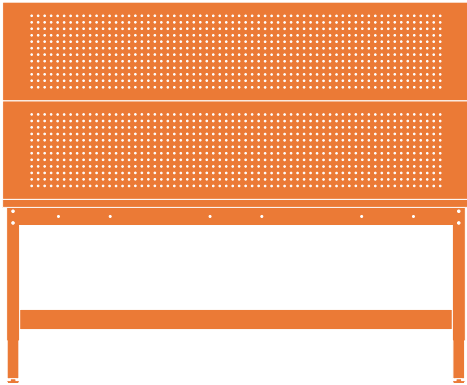

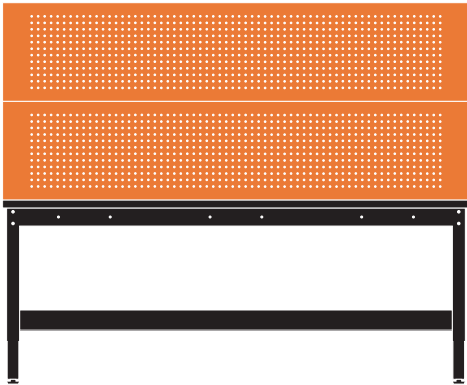

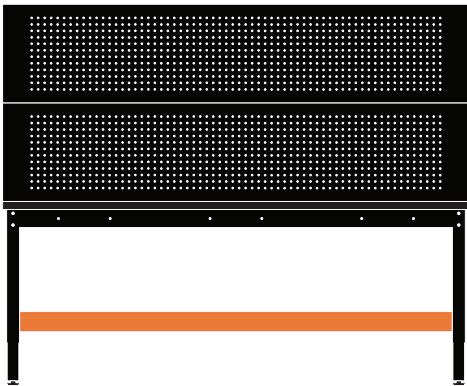

9 QTY: 2



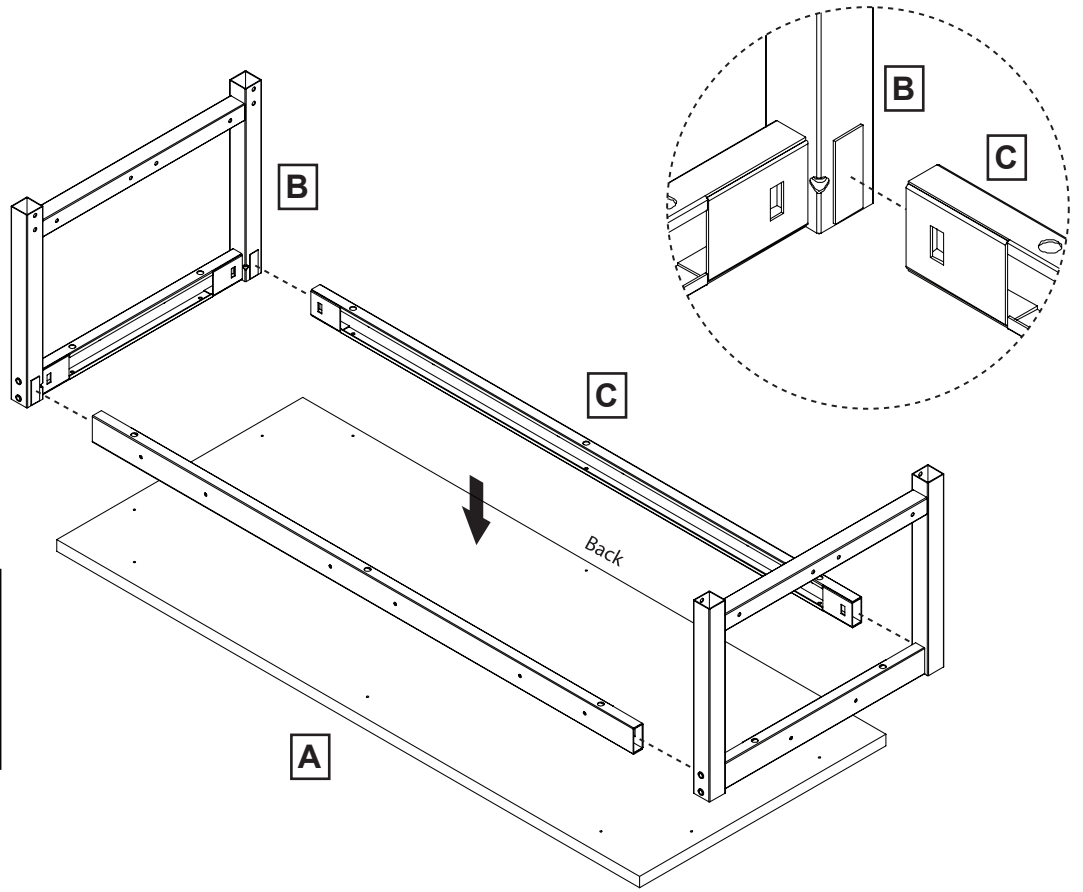
TOOLS REQUIRED



WARNING NOTES

	<p>OVERALL MAXIMUM WEIGHT CAPACITY - EVENLY DISTRIBUTED -</p>  <p>800 lbs</p>
	<p>PEGBOARD MAXIMUM WEIGHT CAPACITY - EVENLY DISTRIBUTED -</p>  <p>100 lbs</p>
	<p>LOWER SHELF MAXIMUM WEIGHT CAPACITY - EVENLY DISTRIBUTED -</p>  <p>300 lbs</p>

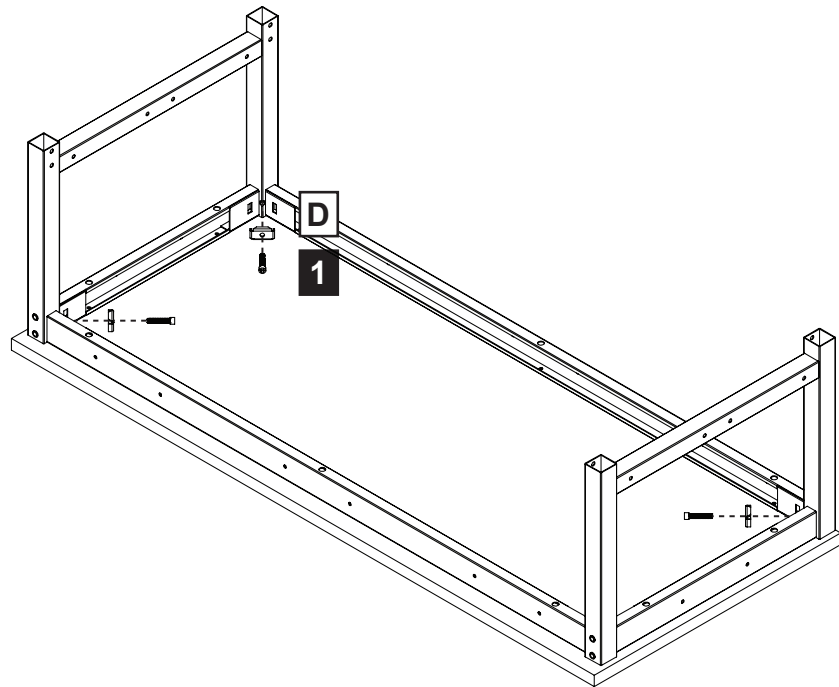
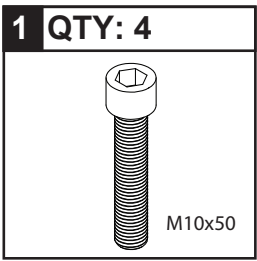
1



NOTE:
The underside has 10 holes,
while the other side has 3 holes


NOTE:
The 3 holes closer to the edge
represents the "back"

2

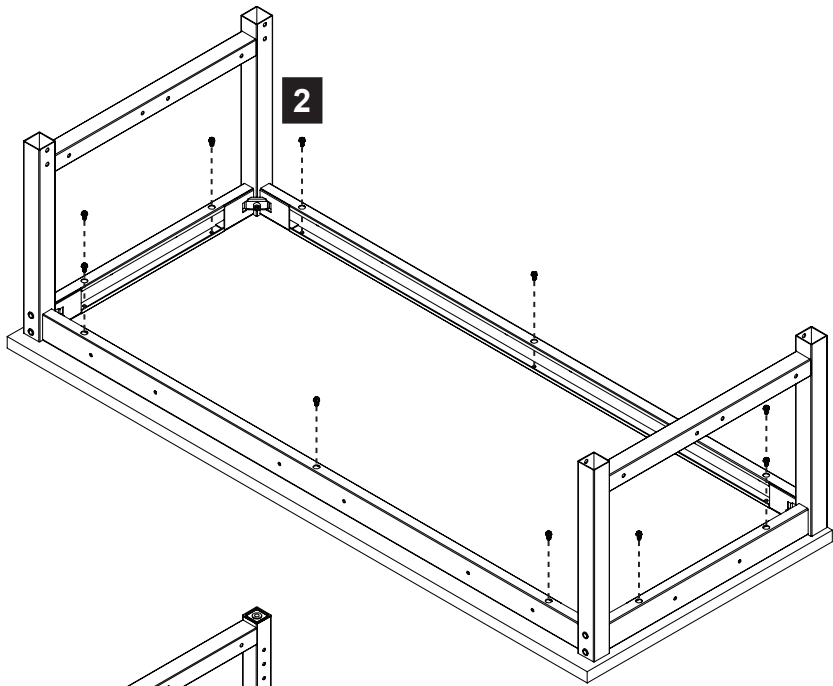


3

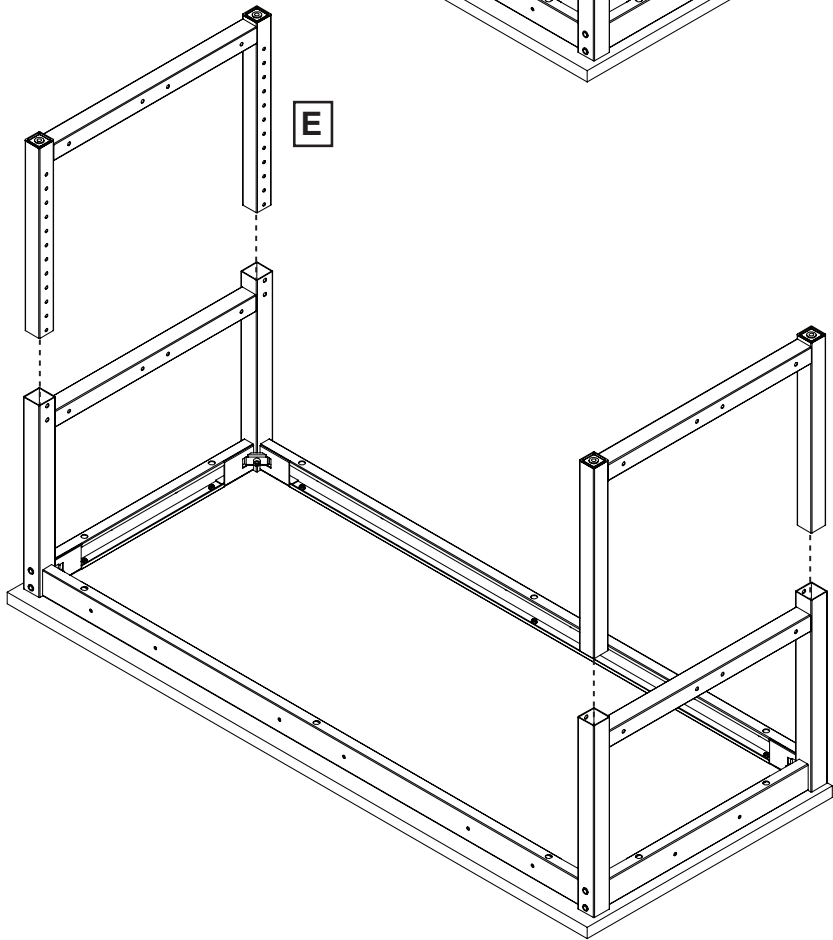
2 QTY: 10



ST6.3x16

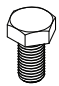


4

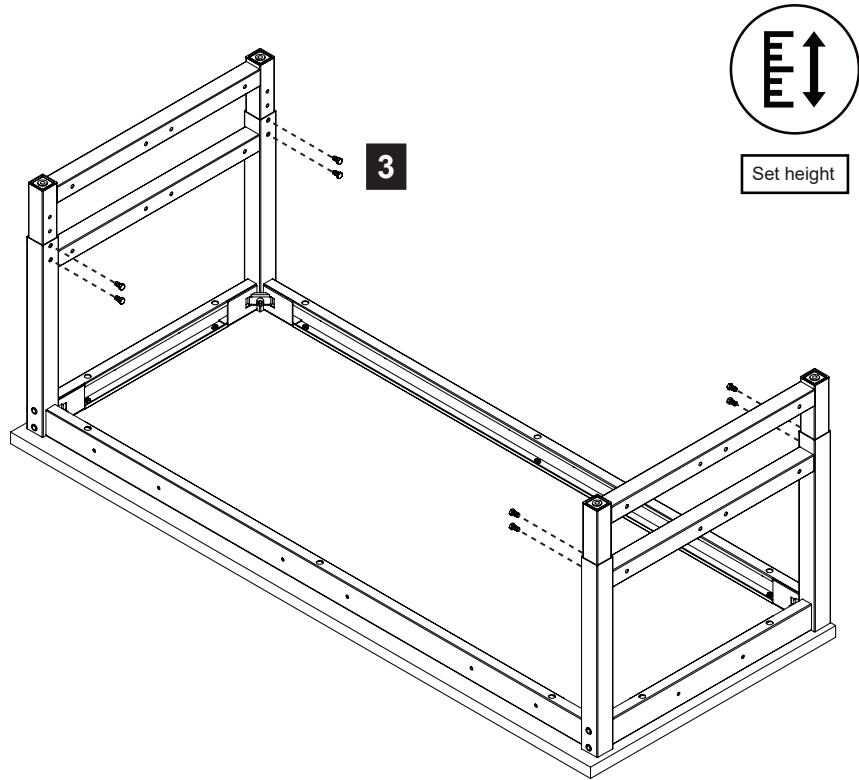


5

3 QTY: 8

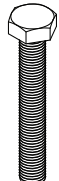


M8x16




6

4 QTY: 4

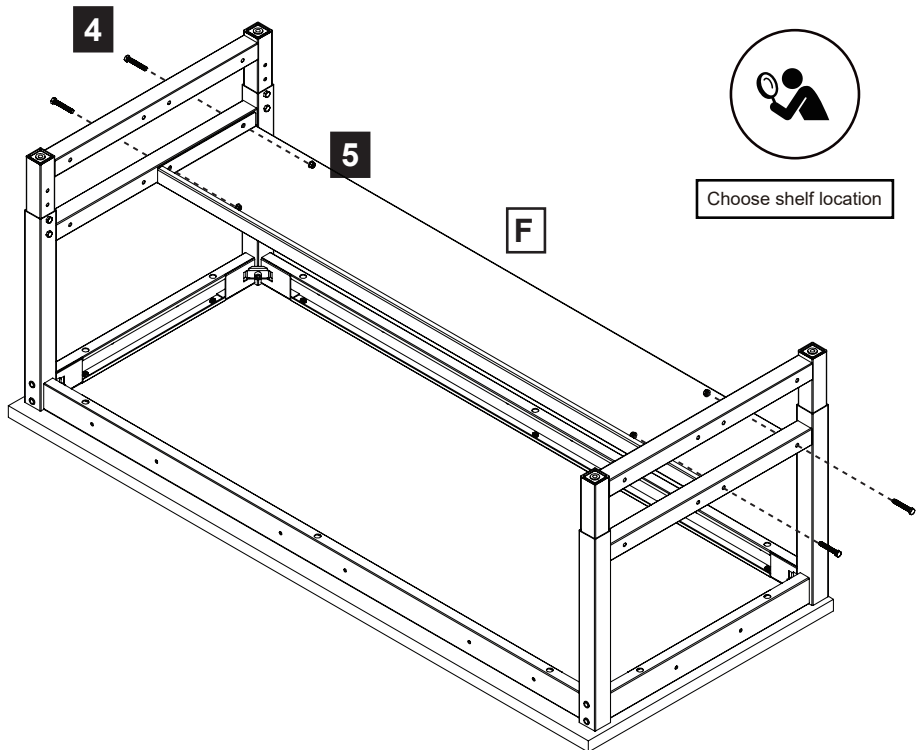


M8x55

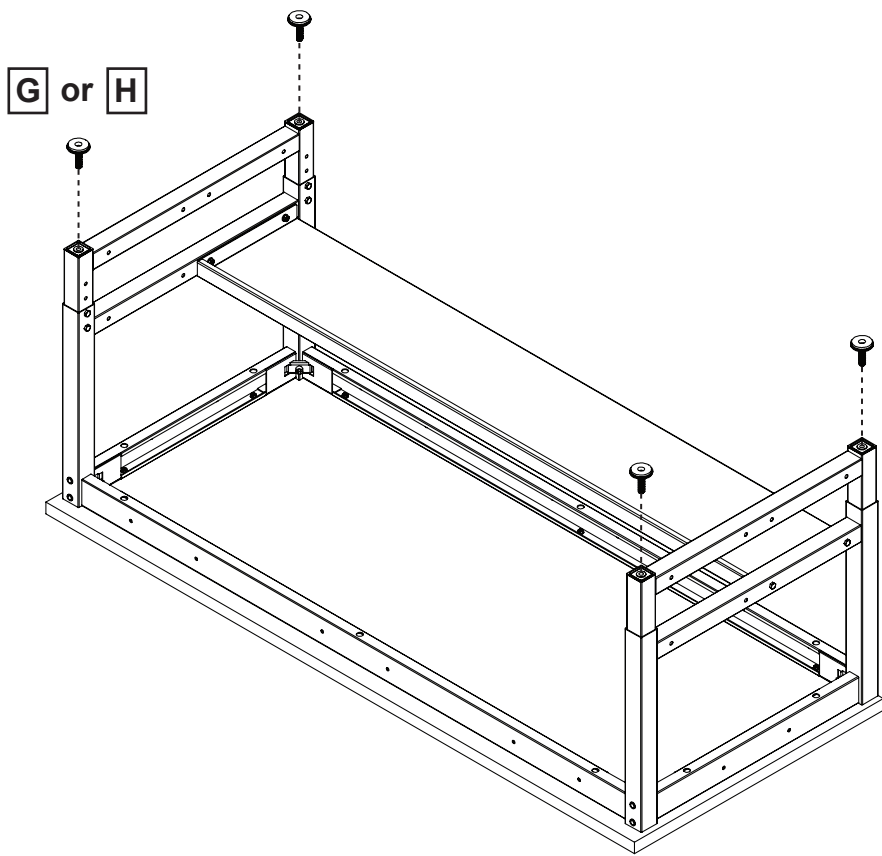
5 QTY: 4



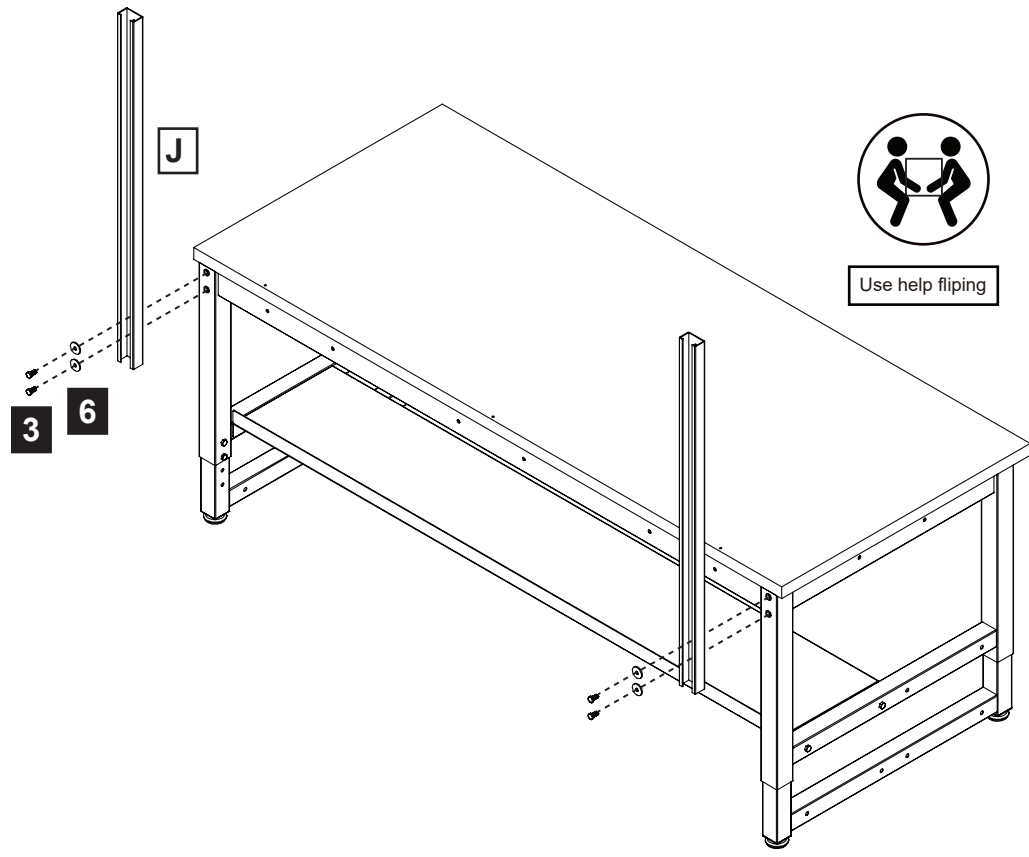
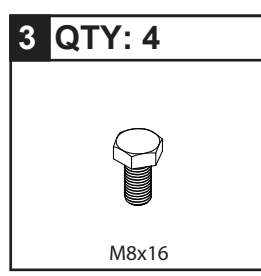
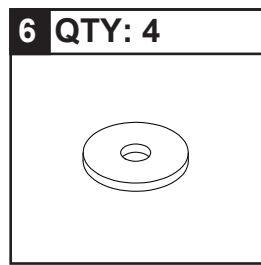
M8



7



8

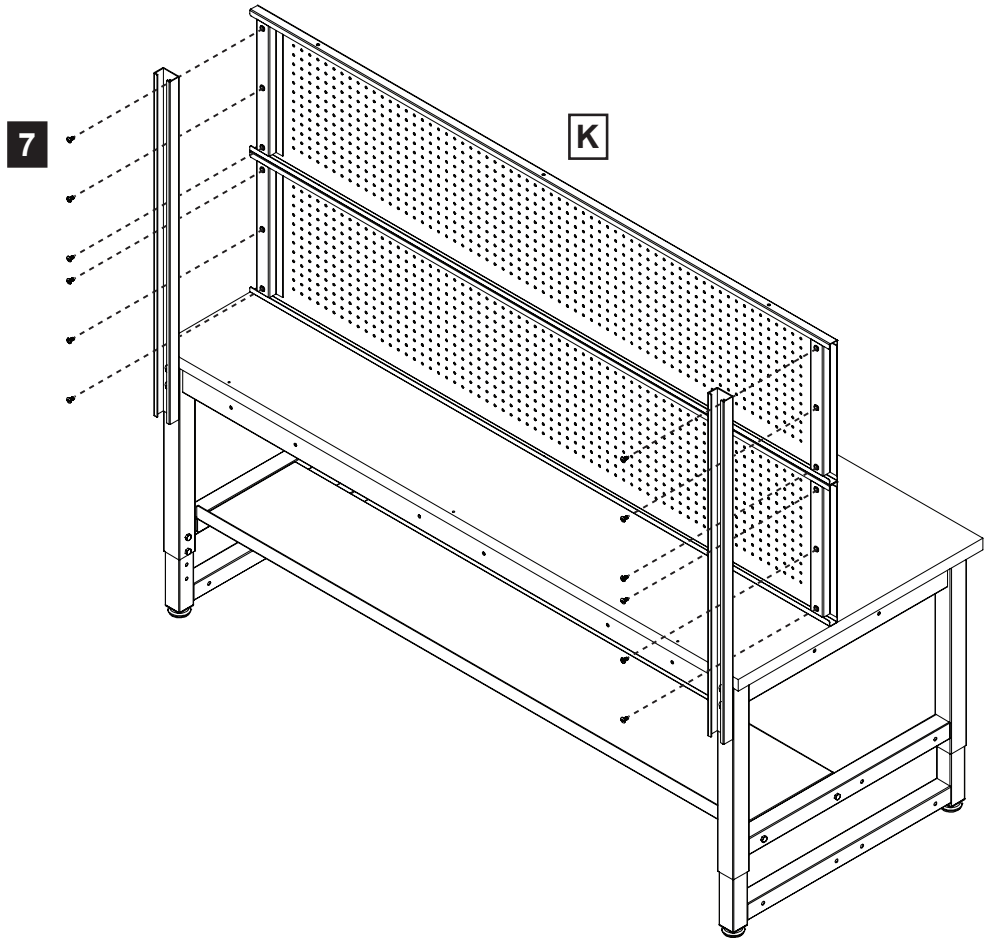


9

7 QTY: 12



M6x12

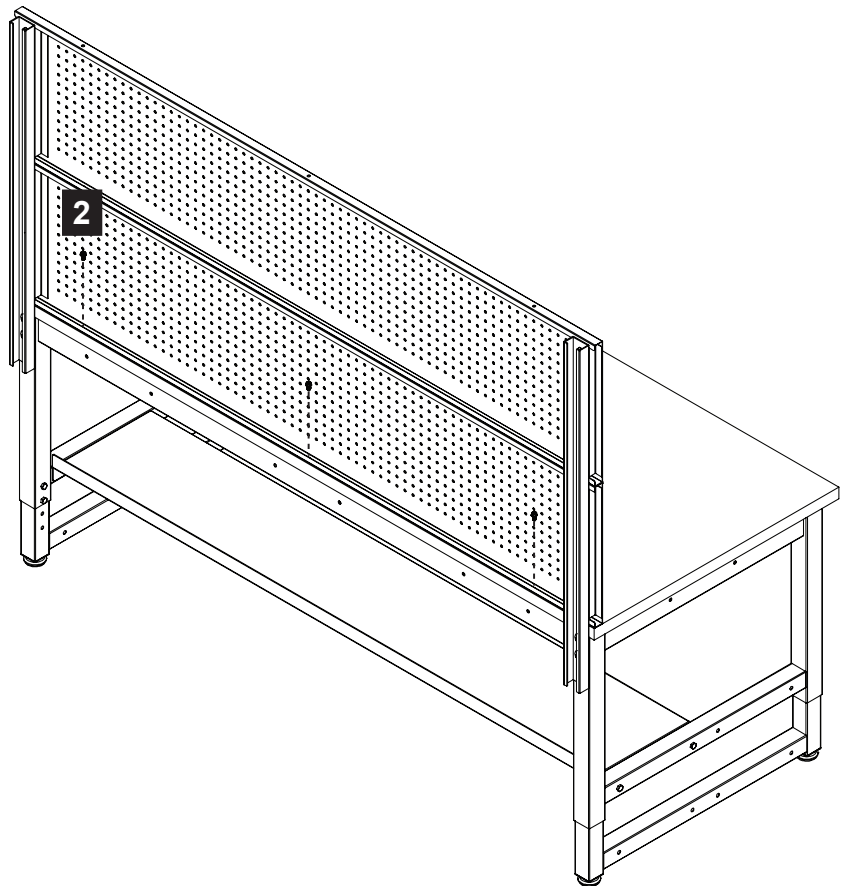


10

2 QTY: 3




ST6.3x16




11

7 QTY: 3

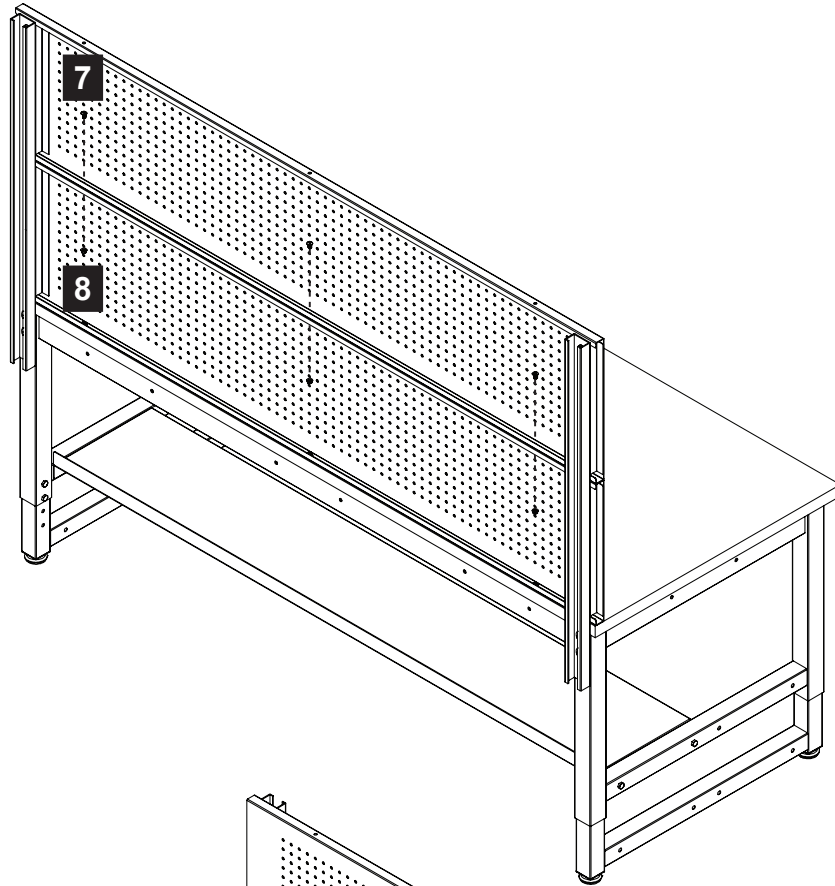


M6x12

8 QTY: 3



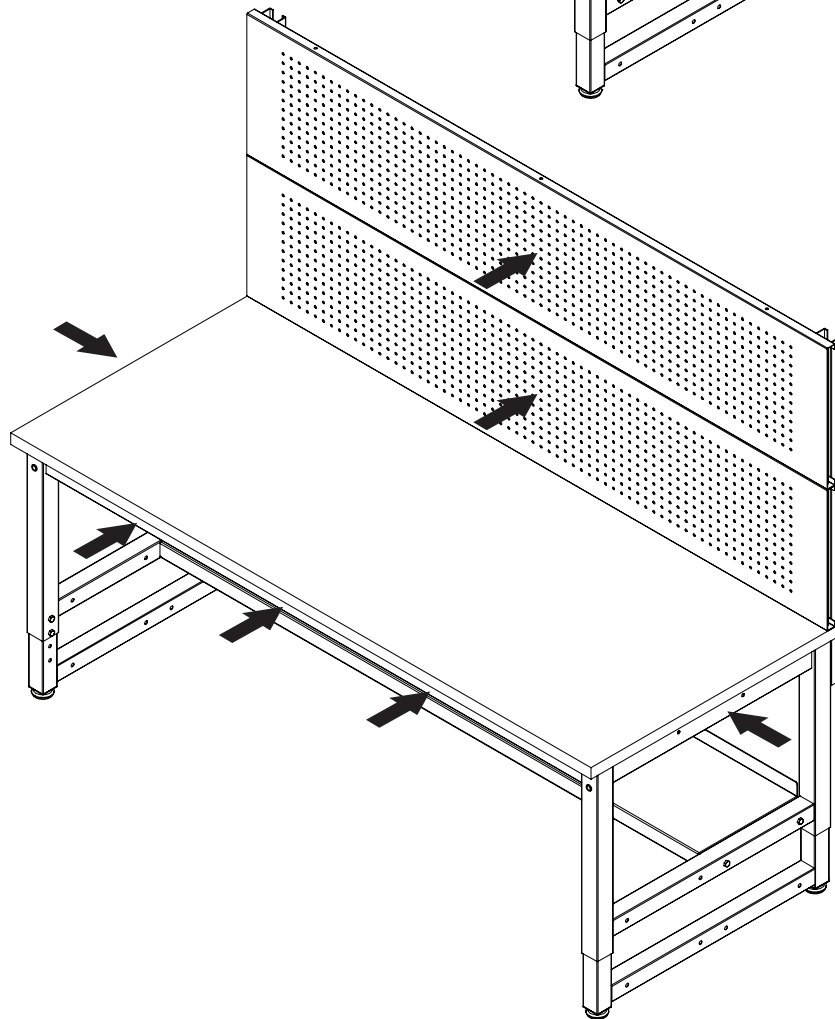
M6



12



Choose power location

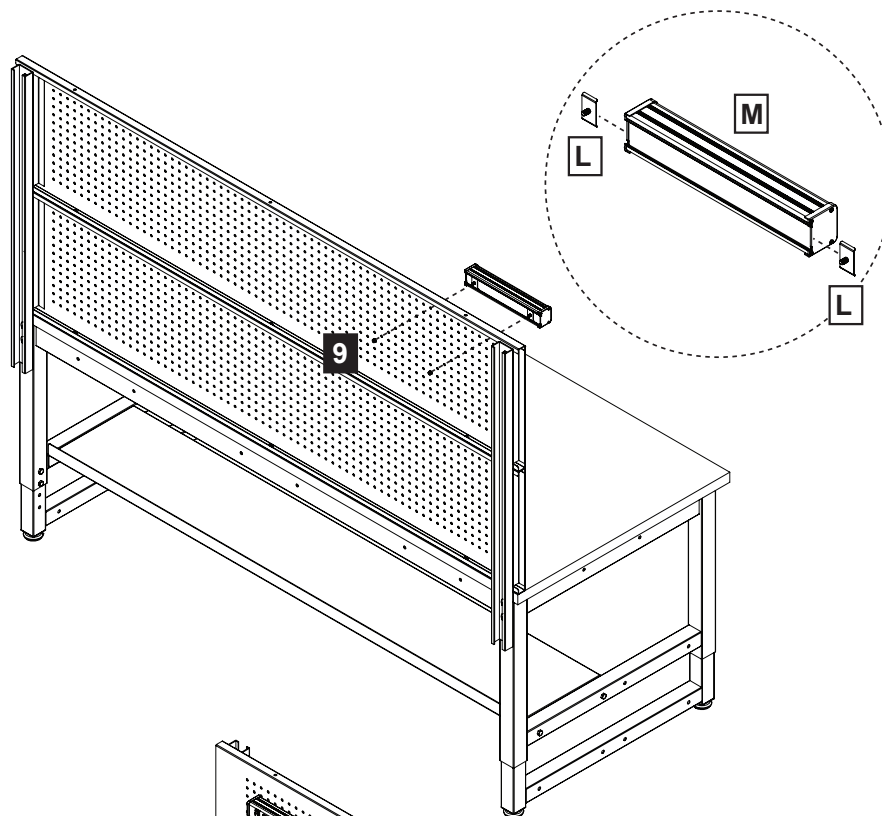


13

9 QTY: 2



M5



Great job!

