

Proline Ergonomic Workstation 60" Plastic Laminate Work Surface Height Adjustable

The guide on the following page(s) was provided by the supplier.
New Pig Corporation assumes no responsibility, obligation, or
liability in conjunction with the use or misuse of the information.



New Pig

One Pork Avenue
Tipton, PA 16684-0304

newpig.com

North America: **1-800-468-4647**

Europe: **+31 (0)76 596 92 50**

China: **+86-21-400 921 5178**

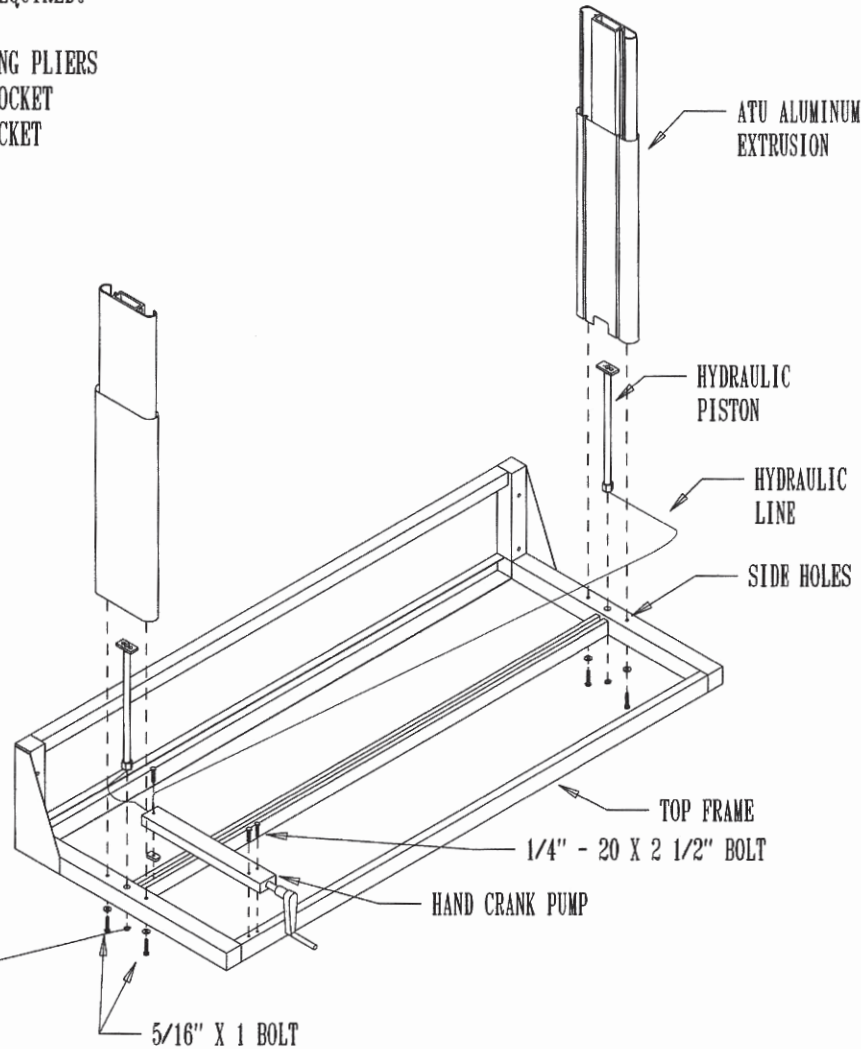
UK: **0800 919 900**

Outside North America: **+1-814-684-0101**

PIG, PIG logo are registered trademarks in USA and other countries. See tm.newpig.com

TOOLS REQUIRED:

SNAP RING PLIERS
7/16" SOCKET
1/2" SOCKET
RACHET



- 1) LAY TOP FRAME UPSIDE DOWN ON FLAT SURFACE
- 2) MOUNT HAND CRANK PUMP SYSTEM INTO PLACE USING (2) 1/4" - 20 X 2 1/2" HEX HEAD BOLTS AND KEP NUTS ON FRONT OF CRANK AND (1) 1/4" - 20 X 2 1/2" HEX HEAD BOLT 1/4" STRUT NUT IN BACK
- 3) INSTALL HYDRAULIC PISTONS INTO SIDE HOLES AND FASTEN WITH SNAP RINGS, WITH WHITE NYLON RECTANGLE FACING UPWARD
- 4) INSTALL ATU EXTRUSION UNITS OVER HYDRAULIC PISTON AND FASTEN USING 5/16" - 18 X 1" HEX HEAD BOLTS AND FLAT WASHERS (DO NOT TIGHTEN !!)

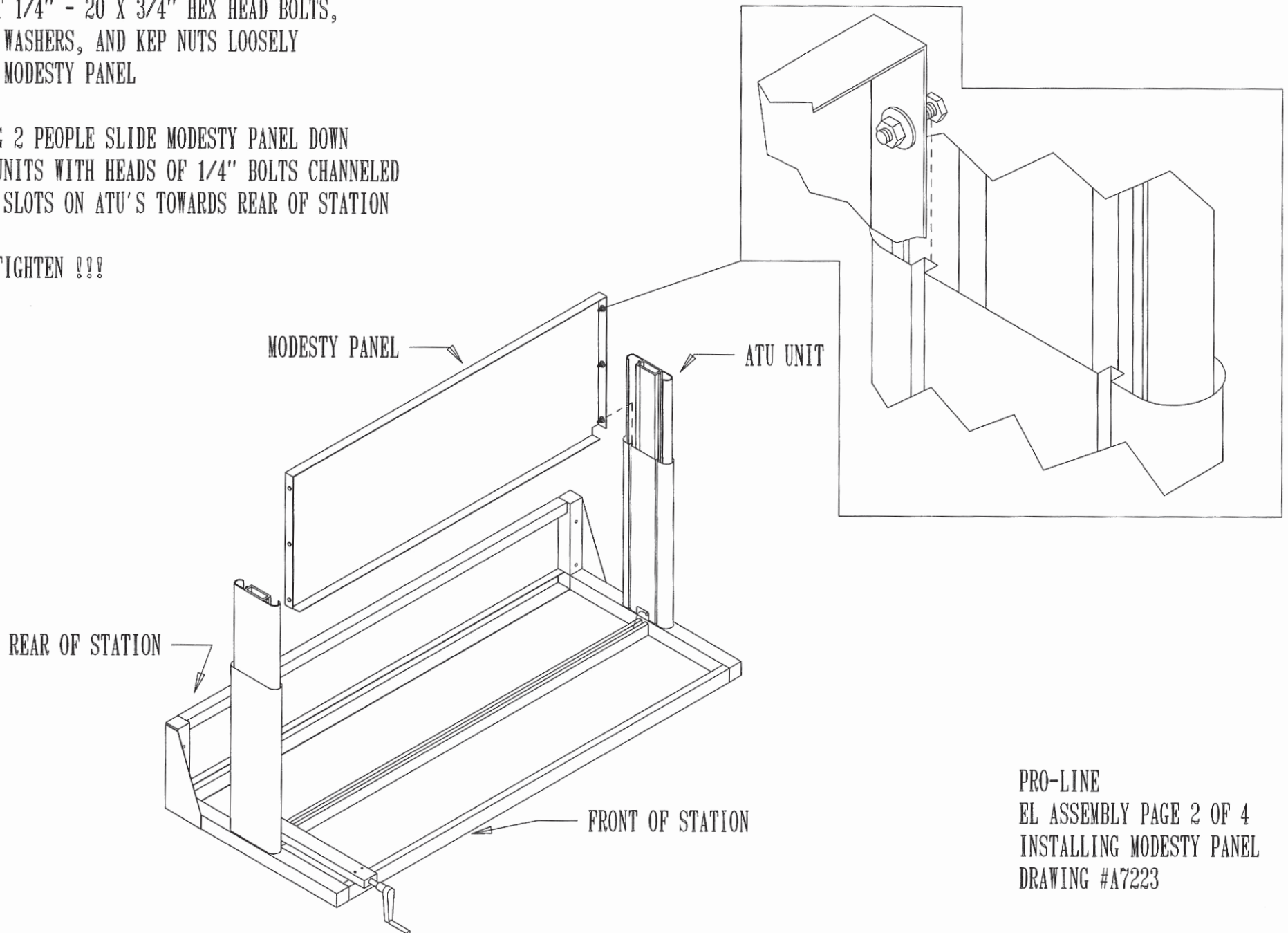
NOTE: BE SURE NOT TO PINCH HYDRAULIC LINES

PRO-LINE
EL BENCH ASSEMBLY PAGE 1 OF 4
INSTALLING PUMP, PISTONS AND
VERTICAL LEGS
DRAWING #A7222

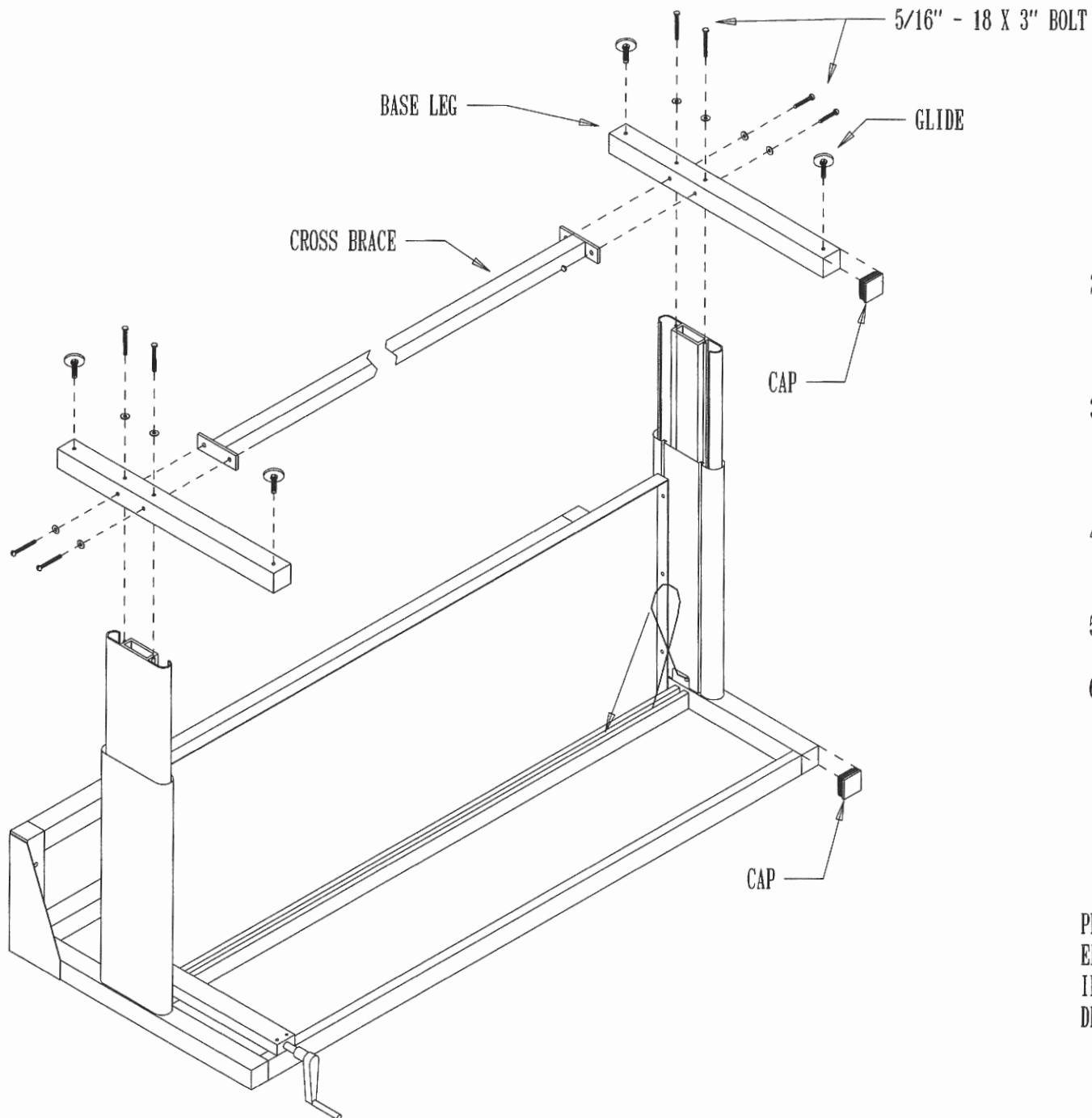
1) MOUNT 1/4" - 20 X 3/4" HEX HEAD BOLTS,
FLAT WASHERS, AND KEP NUTS LOOSELY
INTO MODESTY PANEL

2) USING 2 PEOPLE SLIDE MODESTY PANEL DOWN
ATU UNITS WITH HEADS OF 1/4" BOLTS CHANNELED
INTO SLOTS ON ATU'S TOWARDS REAR OF STATION

DO NOT TIGHTEN !!!

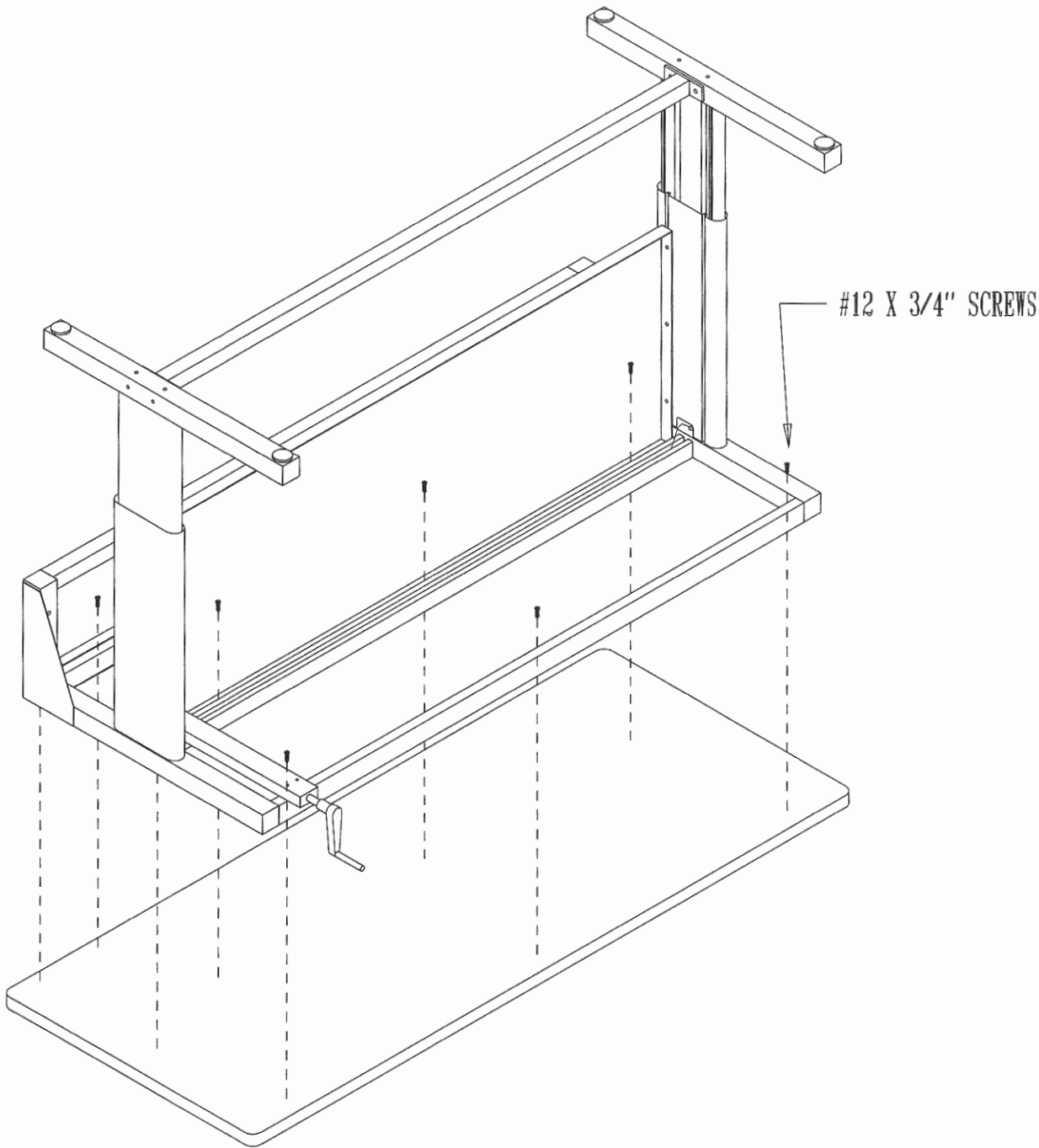


PRO-LINE
EL ASSEMBLY PAGE 2 OF 4
INSTALLING MODESTY PANEL
DRAWING #A7223



- 1) MOUNT BASE LEGS TO ALUMINUM EXTRUSIONS USING 5/16" - 18 X 3" HEX HEAD BOLTS AND 5/16" WASHERS (DO NOT TIGHTEN)
- 2) MOUNT CROSS BRACE BETWEEN LEGS USING 5/16" - 18 X 3" HEX HEAD BOLTS 5/16" FLAT WASHER AND KEPNUTS AS SHOWN
- 3) AT THIS TIME TIGHTEN CROSS BRACE, BASE LEGS, MODESTY PANEL AND ATU EXTRUSIONS TO TOP FRAME (REFERENCE PAGES 1 AND 2)
- 4) LOOP AND TUCK EXCESS HYDRAULIC LINE INTO CROSS CHANNEL
- 5) INSTALL GLIDES 4 PLACES
- 6) INSTALL 2" SQUARE CAP PLUGS 8 PLACES

PRO-LINE
 EL ASSEMBLY PAGE 3 OF 4
 INSTALLING HORIZONTAL LEGS AND CROSS BRACE
 DRAWING #A7224



1) LAY ENTIRE FRAME UPSIDE DOWN ON WORK SURFACE
SO THAT THE BACK OF THE FRAME IS COMPLETELY FLUSH
WITH THE BACK OF THE WORKSURFACE

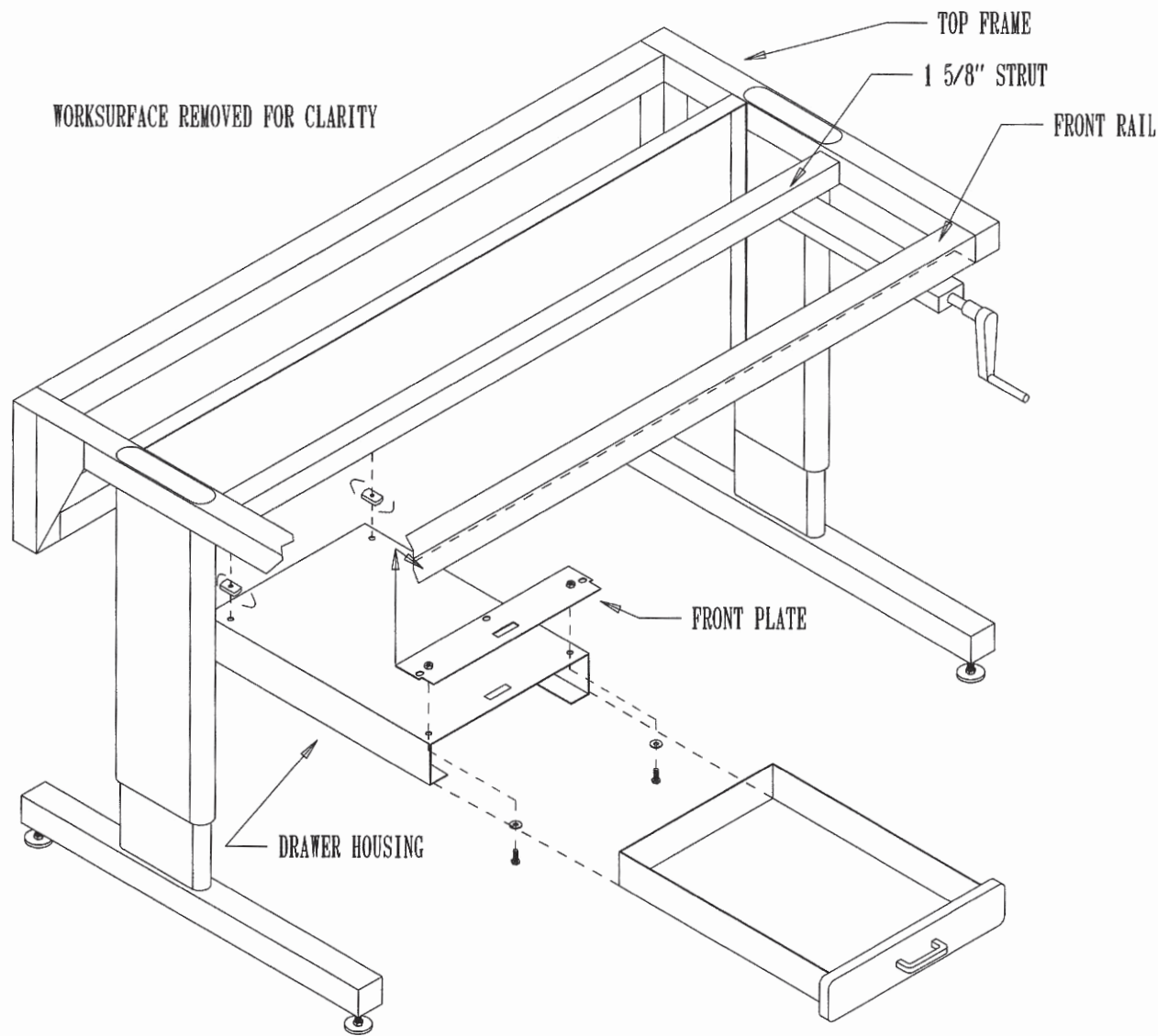
(SEAM OF EDGING TO BACK).

USE #28 DRILL BIT AND PRE-DRILL HOLES
1/2" DEEP AND SCREW #12 X 3/4" SCREWS IN TO
SECURE FRAME TO TOP

NOTE: OVERHANG OF THE TOP SHOULD BE 2 1/2"
IN THE FRONT AND THE SIDES (FLUSH WITH BACK)

WHEN ASSEMBLING A QUANTITY OF BENCHES
AN ELECTRIC SCREW GUN IS RECOMMENDED.

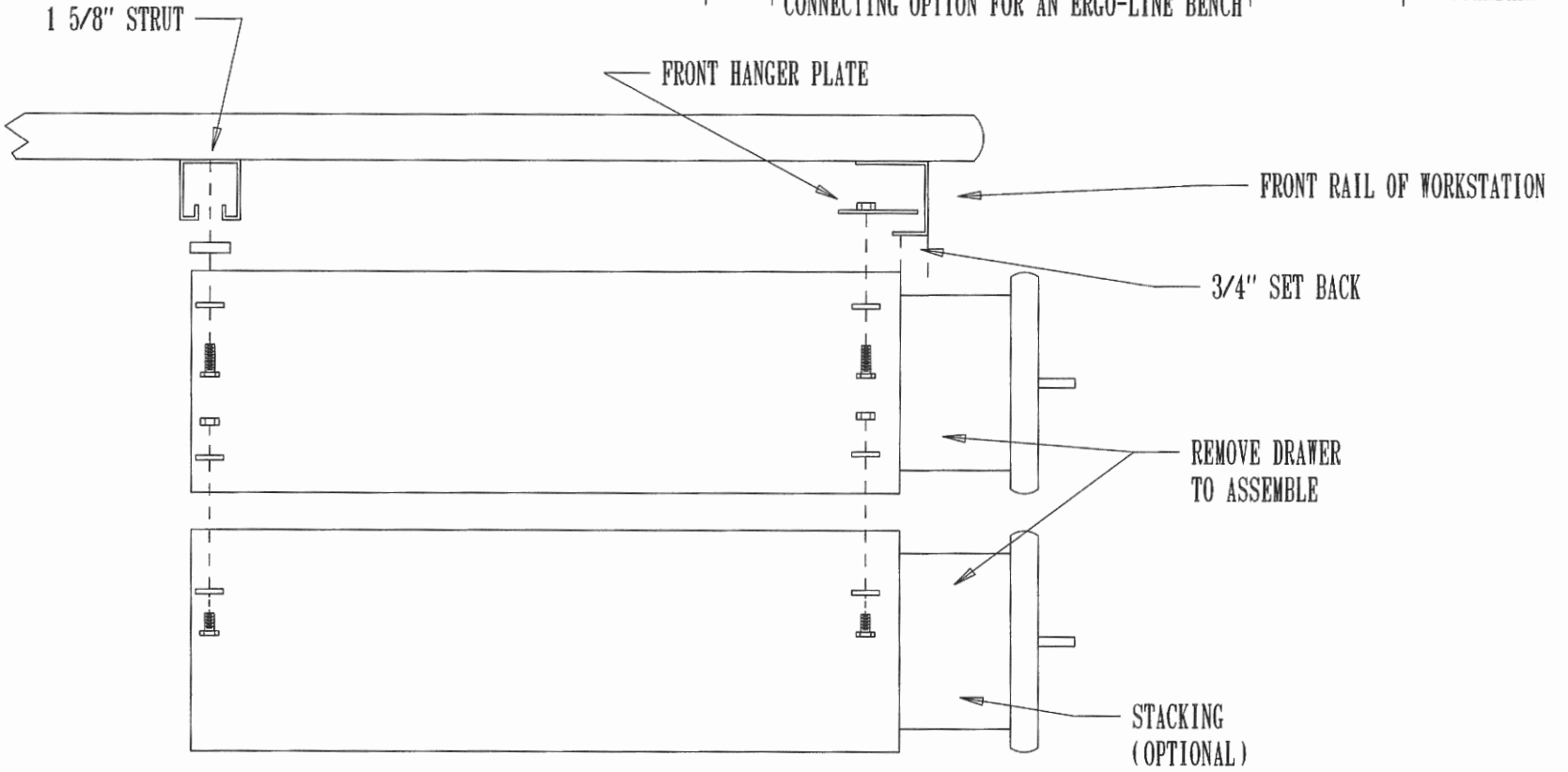
PRO-LINE
EL ASSEMBLY PAGE 4 OF 4
INSTALLING WORKSURFACE
DRAWING #A7225



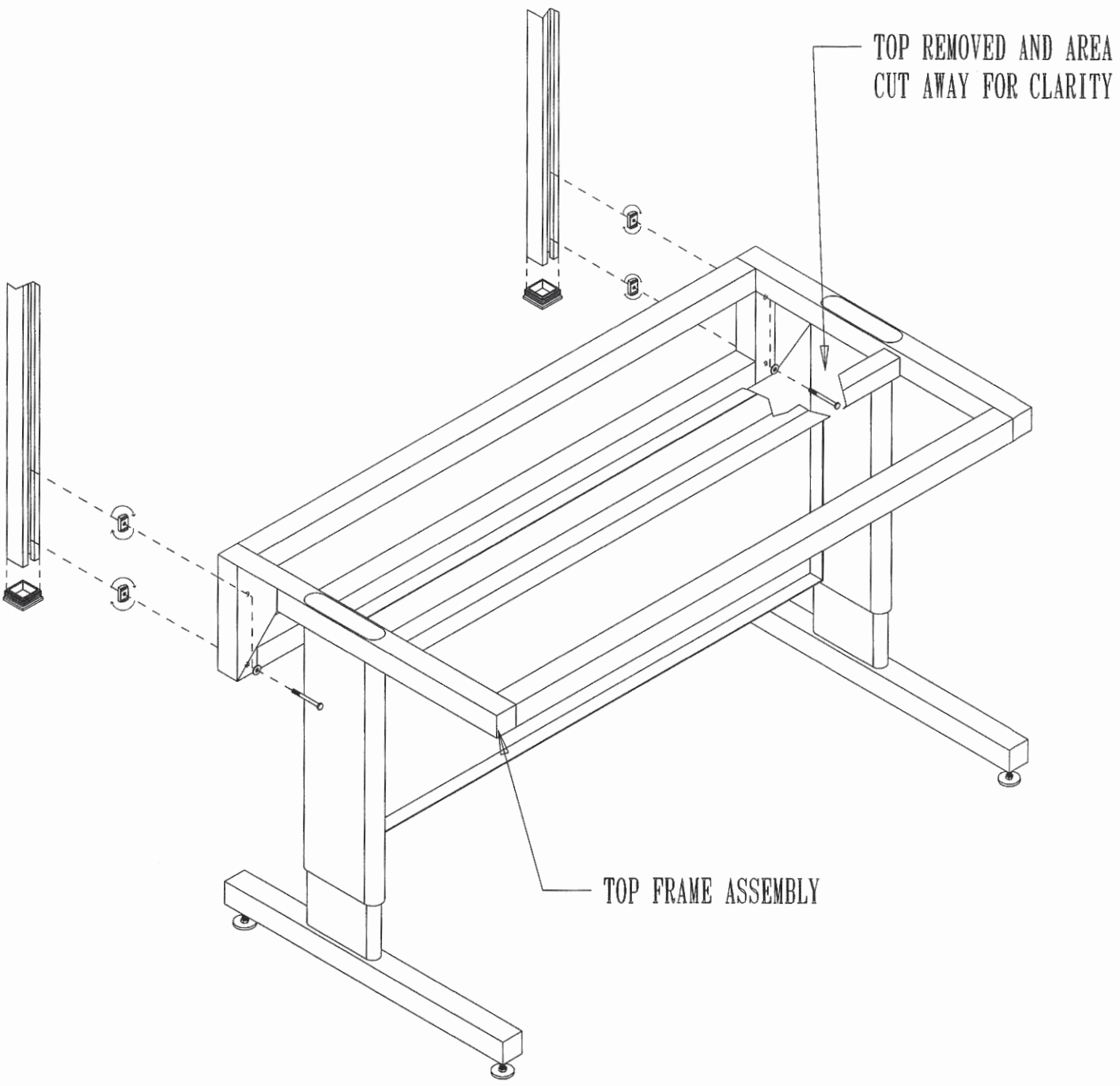
- 1) REMOVE DRAWER FROM HOUSING
- 2) MOUNT FRONT PLATE TO DRAWER USING
1/4"- 20 x 3/4" HEX HEAD BOLTS AND WASHERS
AS SHOWN
(LEAVE BOLTS ON FRONT PLATE LOOSE)
- 3) INSTALL 1/4" - 20 x 3/4" BOLTS AND STRUT NUTS INTO
HOLES IN THE REAR OF THE DRAWER HOUSING
- 4) SLIDE FRONT PLATE OVER FRONT RAIL OF
BENCH SANDWICHING FRONT RAIL BETWEEN
HOUSING AND PLATE
- 5) PUSH BOLT ASSEMBLY INTO 1 5/8" STRUT
AND TIGHTEN
- 6) TIGHTEN BOLTS SECURING FRONT HANGING
PLATE
- 7) RE-INSTALL DRAWER
** NOTE ** DRAWERS ARE MORE EASILY
MOUNTED WHEN BENCH IS FLIPPED UPSIDE DOWN

PRO-LINE
EL OR BASICS DRAWER
MOUNTING ASSEMBLY
DRAWING #A7211

REVISIONS			
REV	DESCRIPTION	DATE	APPROVED
	MDS (MODULAR DRAWER ASSEMBLY) WITH CONNECTING OPTION FOR AN ERGO-LINE BENCH	6-13-98	STANDARD



		MICHAEL SUPLINSKAS		
		PRO-LINE		
	SIZE	FSCM NO.	DWG NO.	REV
			A7073-EL	
	SCALE			

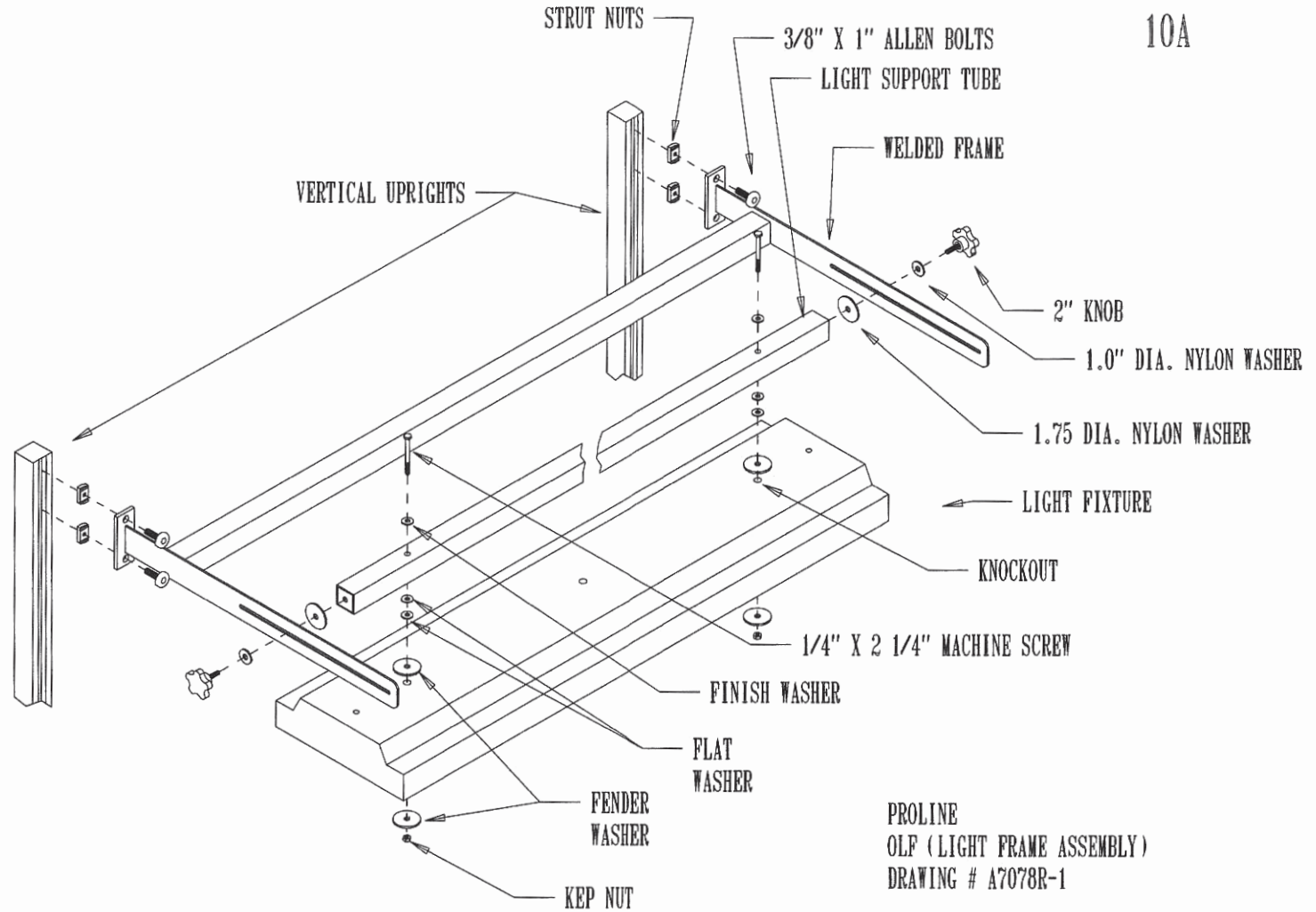


- 1) MOUNT 1/4" X 2 3/4" HEX HEAD BOLTS THROUGH TOP FRAME ASSEMBLY AS SHOWN
- 2) TURN 1/4" STRUT NUTS ON APPROXIMATELY TWO (2) THREADS
- 3) HOLD UPRIGHTS AGAINST BACK OF REAR LEGS
- 4) PUSH BOLT ASSEMBLY INTO UPRIGHTS AND TURN CLOCKWISE TO TIGHTEN

PRO-LINE
ERGO-LINE UPRIGHT ASSEMBLY
DRAWING #A7210

- 1) LOCATE AND REMOVE THE KNOCKOUTS THAT ARE CLOSEST TO THE ENDS OF THE LIGHT FIXTURE
- 2) FASTEN LIGHT FIXTURE TO LIGHT SUPPORT TUBE AS SHOWN WITH 1/4" X 2 1/4" MACHINE SCREW, FINISH WASHER, (2) FLAT WASHERS, (2) FENDER WASHERS AND A KEP NUT.
- 3) ATTACH THE LIGHT FRAME TO VERTICAL UPRIGHTS USING 3/8" X 1" ALLEN HEAD BOLTS AND STRUT NUTS.
- 4) ASSEMBLE THE 2" KNOBS THROUGH WELDED FRAME AND INTO THREADED INSERTS IN TUBE ENDS. (USE WASHERS AS SHOWN).

NOTE: IT IS SUGESTED THAT 2 PEOPLE PERFORM THE OPERATION OF MOUNTING LIGHT TUBE TO FRAME.



BULB REQUIREMENTS

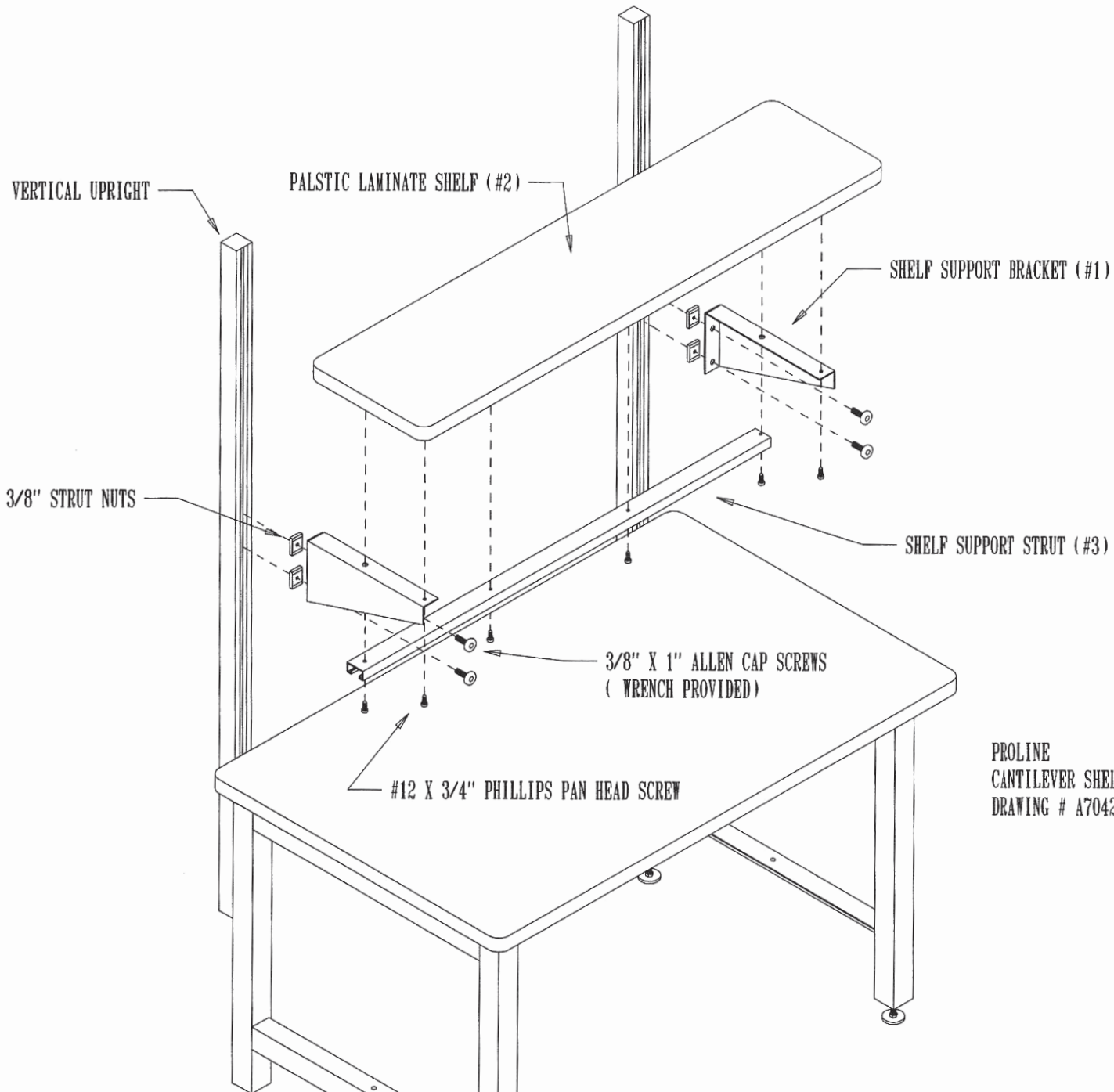
48" FIXTURES	F32 T8
36" FIXTURES	F30 T8 F25 T8

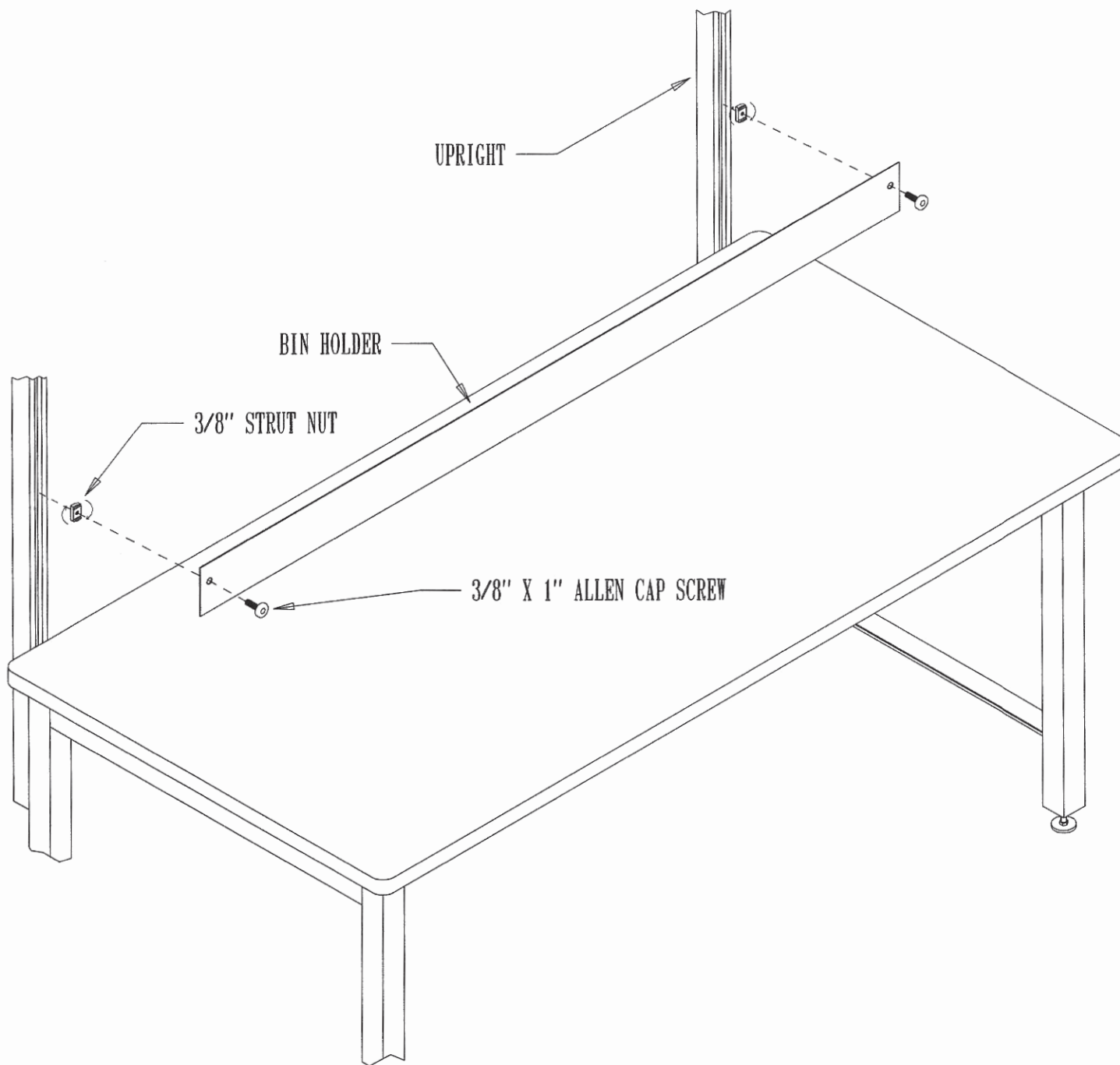
PROLINE
OLF (LIGHT FRAME ASSEMBLY)
DRAWING # A7078R-1

TOOLS REQUIRED:
 1 SCREW GUN WITH #3 PHILIPS HEAD TIP
 7/32" WRENCH

- 1) CHOOSE DESIRED HEIGHT ON UPRIGHTS AND MOUNT SHELF BRACKETS TO THE UPRIGHTS WITH 3/8" X 1" ALLEN CAP BOLTS AND STRUT NUTS PROVIDED
- 2) LAY PLASTIC LAMINATED SHELF ACROSS SHELF SUPPORT BRACKETS WITH EQUAL OVERHANG ON LEFT AND RIGHT SIDES
- 3) WITH 2 PEOPLE (ONE ON EACH SIDE OF SHELF), HOLD SHELF SUPPORT STRUT AGAINST SHELF SUPPORT BRACKETS AND INSTALL #12 X 3/4" PHILLIPS PAN HEAD SCREWS IN EACH END. THEN PROCEED TO INSTALL THE REMAINDER OF THE PAN HEAD SCREWS

PROLINE
 CANTILEVER SHELF ASSEMBLY
 DRAWING # A7042



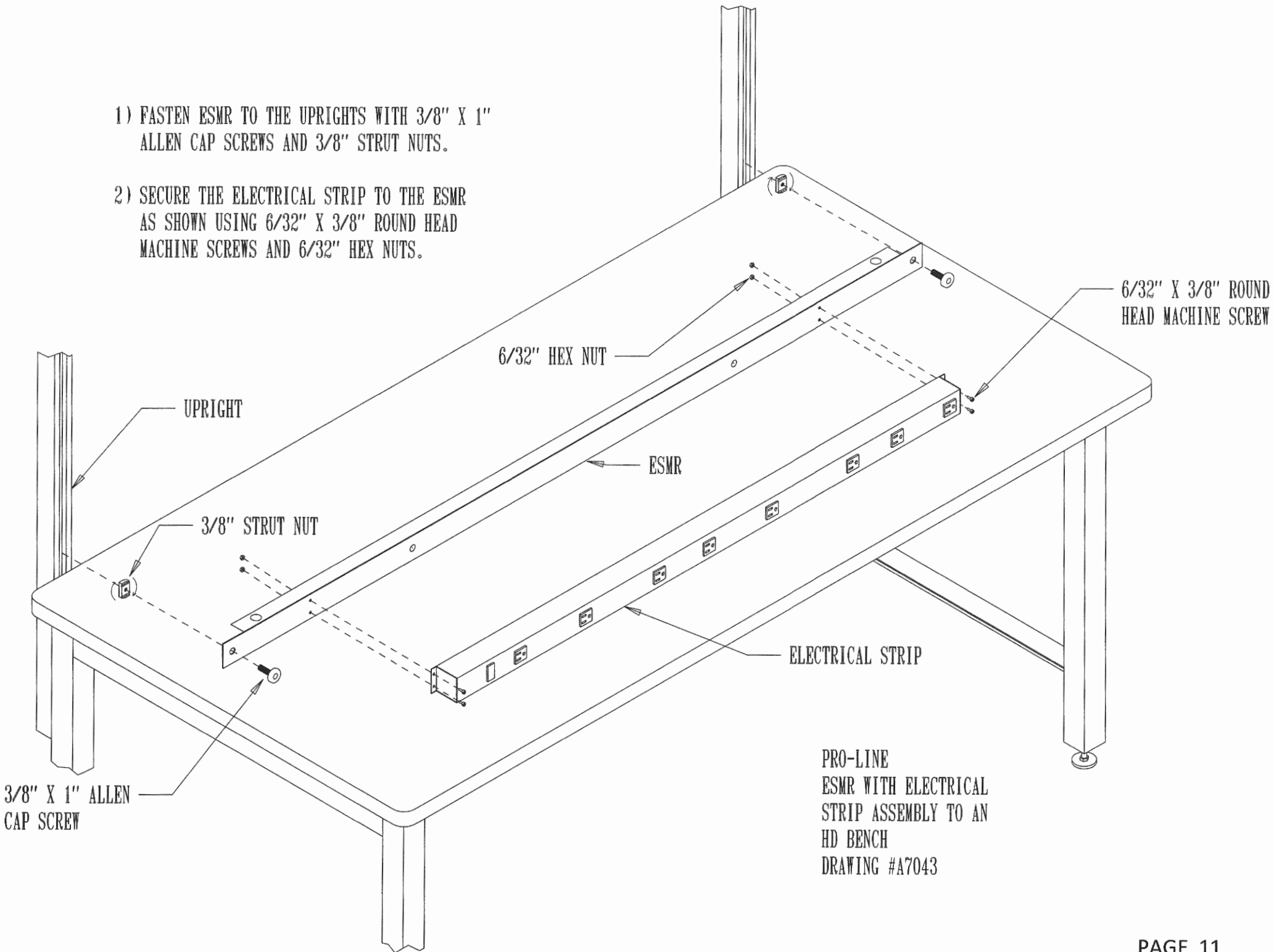


1) FASTEN BIN HOLDER TO UPRIGHTS AT DESIRED HEIGHT USING 3/8" X 1" ALLEN CAP SCREWS AND 3/8" STRUT NUTS

PRO-LINE
BIN HOLDER ASSEMBLY
TO AN HD BENCH
DRAWING #A7449

1) FASTEN ESMR TO THE UPRIGHTS WITH 3/8" X 1" ALLEN CAP SCREWS AND 3/8" STRUT NUTS.

2) SECURE THE ELECTRICAL STRIP TO THE ESMR AS SHOWN USING 6/32" X 3/8" ROUND HEAD MACHINE SCREWS AND 6/32" HEX NUTS.



PRO-LINE
ESMR WITH ELECTRICAL
STRIP ASSEMBLY TO AN
HD BENCH
DRAWING #A7043