

# Add-A-Level Raised Work Platform Ramp

The guide on the following page(s) was provided by the supplier. New Pig Corporation assumes no responsibility, obligation, or liability in conjunction with the use or misuse of the information.



**New Pig**

One Pork Avenue  
Tipton, PA 16684-0304

**newpig.com**

North America: **1-800-468-4647**

Europe: **+31 (0)76 596 92 50**

China: **+86-21-400 921 5178**

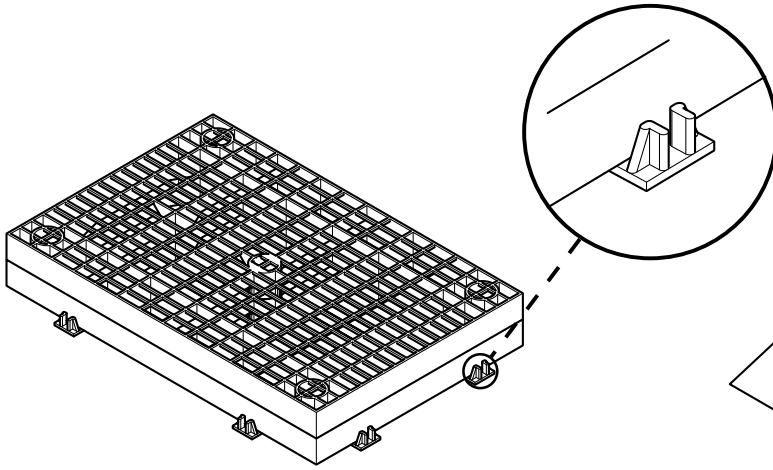
UK: **0800 919 900**

Outside North America: **+1-814-684-0101**

PIG, PIG logo are registered trademarks in USA and other countries. See [tm.newpig.com](http://tm.newpig.com)

**Step 1**

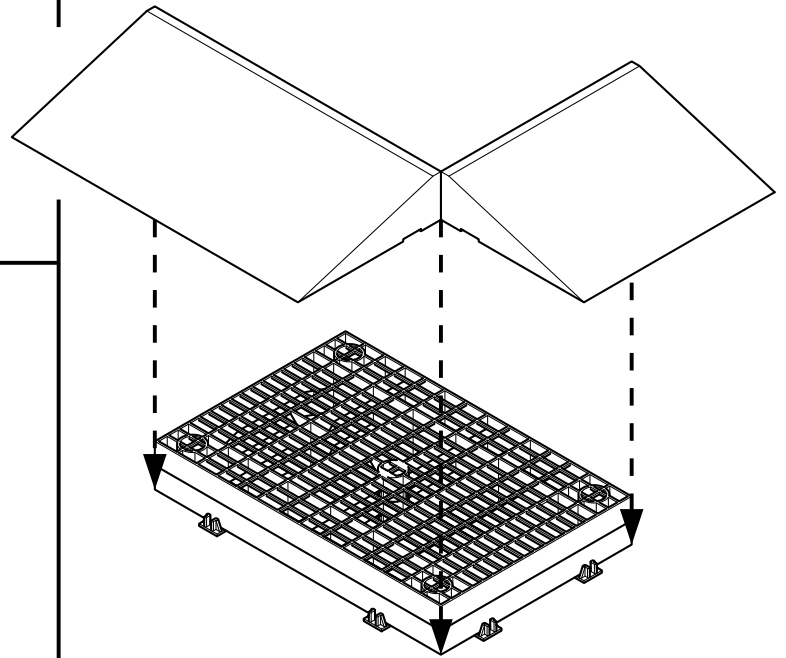
Place (2) Poly Clips on the bottom of each side of the Add-A-Level Work Platform that will need ramps.



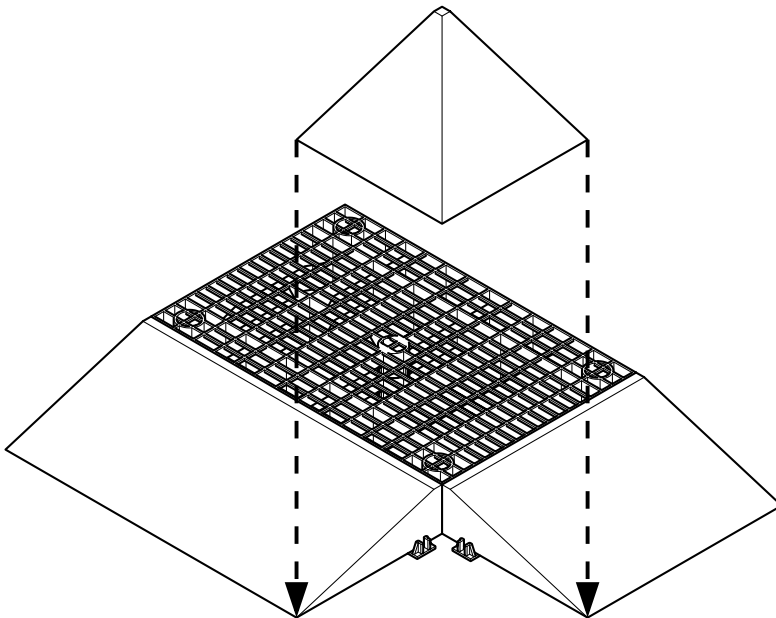
Custom built wooden Add-A-Level Ramps create an easy transition from the floor to your Add-A-Level platform, minimizing trip hazards at employee workstations. Add-A-Level Ramps are painted high-visibility yellow and include anti-slip grit tape.

**Step 2**

Slide the ramps down onto the Poly Clips on each side of the Add-A-Level Work Platform.

**Step 3**

If a corner ramp is necessary, place Poly Clips in the notches on the sides of the ramps where the corner ramp will connect, then slide the corner ramp down onto them.

**Assembled Platform with Ramps**