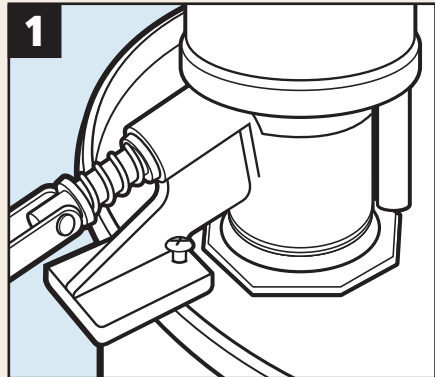


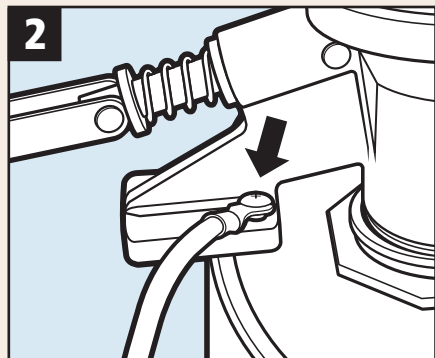


Aerosol Can Recycler Installation and Use

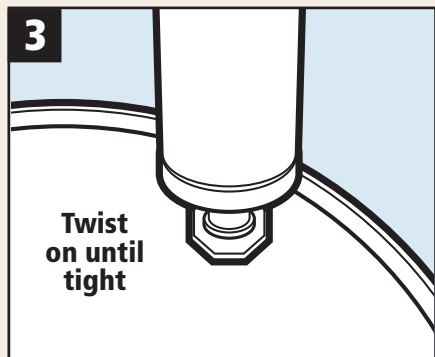
Installation



1. Thread recycler into 2" bung until support plate touches rim of drum.

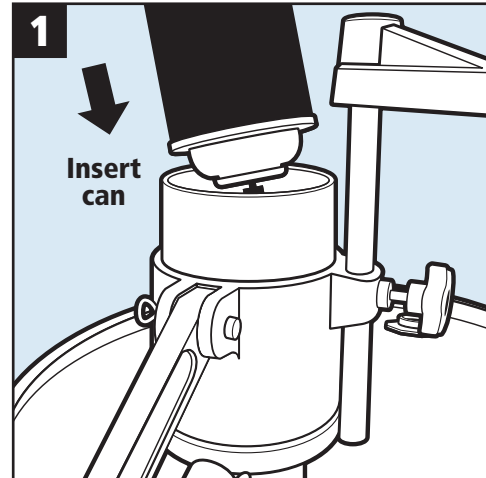


2. Install the anti-stat wire.

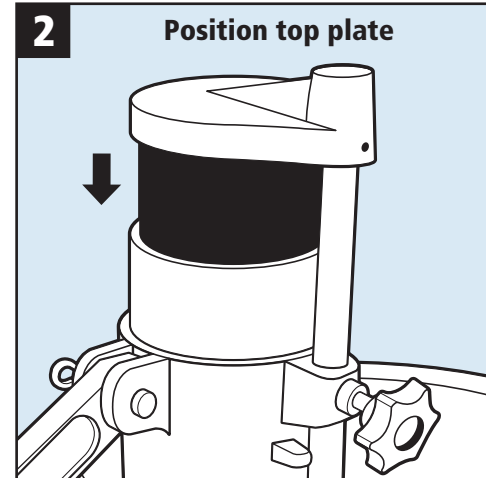


3. Thread Combination filter into 3/4" bung. Activate Timestrip™ Indicator by pressing "power" button to start tracking 3 month service life.

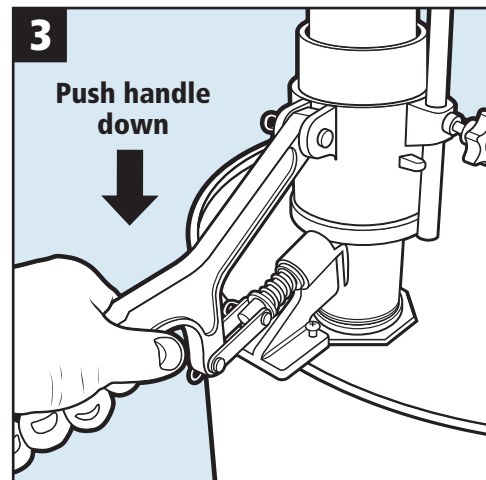
How to Use



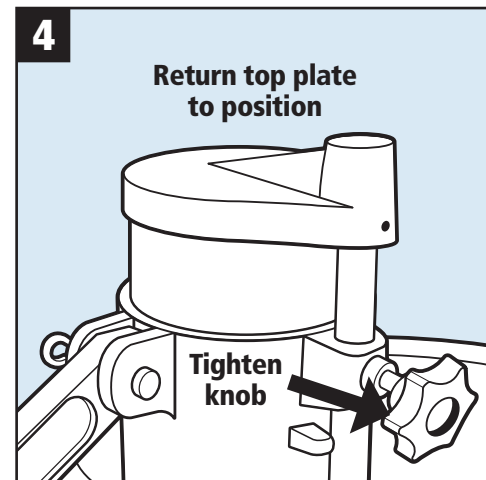
1. Insert domed can (jumbo/standard/mini), lower top cover to hold can firmly in place, tighten knob. Use sleeve for standard cans, remove for jumbo cans.



2. Lower top plate and firmly seat, tighten lock knob.



3. Depress handle to puncture the can and relieve the pressure. DO NOT release until all of the contents are dispersed.



4. Remove can and position top plate back into position and tighten knob to seal drum (reinsert sleeve if removed).

Mount this on wall at use site.

Safety

- No Smoking
- Always use outdoors or in a well-ventilated area, keep away from open flame
- Wear Safety Goggles (included with Kit)
- Ground drum with anti-stat wire (included with Kit)
- Use on steel drums in good condition with over 30-gallon capacity
- Monitor filter life and replace as indicated
- Always lock can firmly into place using top plate assembly
- Do not overfill drum
- **DO NOT co-mingle corrosives, oxidizers and solvents.** Chemical reactions may generate heat and unsafe vapors.
- **DO NOT puncture powder sprays** (may create static and self-ignite)

Maintenance

- Clean and lubricate puncture pin regularly.
- Replace Filter every 3 months as indicated on the Timestrip™ Indicator.
- Replace Gasket as needed to keep a good seal.
NOTE: Aggressive chemicals will degrade gasket quicker – more chemically resistant gasket is available.
- Call New Pig for replacement parts and filters at 1-800-HOT-HOGS or visit newpig.com

Compliance

- ◆ **Helps you comply** with federal regulation 40 CFR 261.1(c)(6) that empty cans can be recycled as scrap steel

NOTE: State and local regulations may vary.

Follow EPA Guidelines when puncturing pesticides, herbicides and other poisons.