

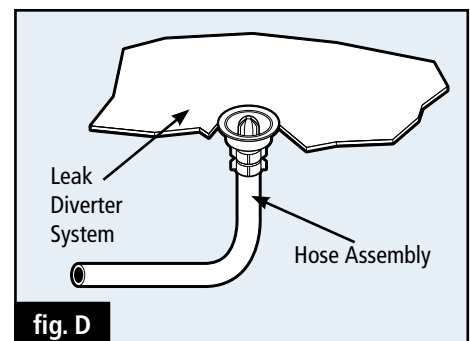
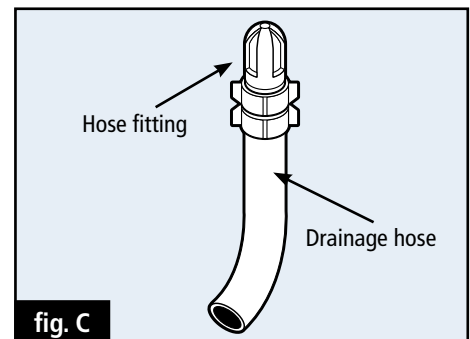
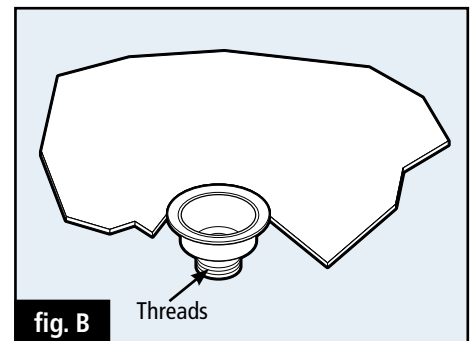
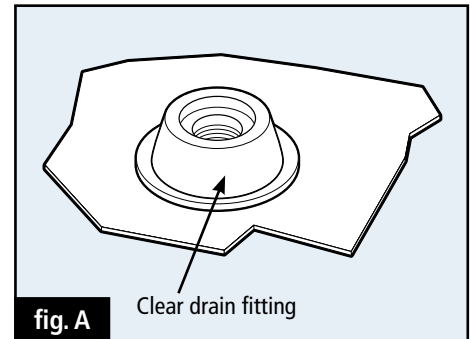
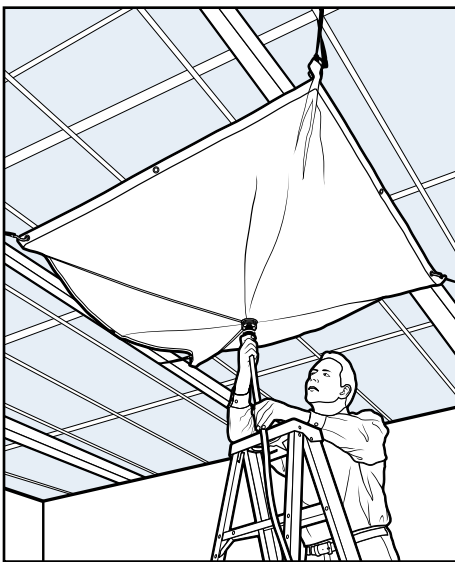
# PIG Leak Diverter Systems

## Drain Assembly Instructions

1. The clear drain fitting is shipped in the inverted position, with the threads on the interior. Identify clear drain fitting located in the middle of the unit. **(fig. A)**
2. Insert your finger into the center of the clear drain fitting and pull the fitting out so the threads are on the outside of the fitting. **(fig. B)**
3. Attach a 3/4" drainage hose (not included) to the hose fitting. We recommend using TLS174, our reinforced clear drainage hose. **(fig. C)**
4. Insert the male end of the hose assembly (hose fitting and drainage hose) into the female end of the drain fitting. Secure it by tightening the ring. **(fig. D)**

## Hanging Instructions

1. Identify the structure from which you'll hang the Leak Diverter.
2. It is easier to hang the unit prior to attaching the hose assembly. Use the grommets and/or D-rings with straps on the Leak Diverter to hang the unit.
3. Hang the diverter as level as possible to create the proper drainage.
4. Refer to Drain Assembly instructions above for attaching the drainage hose.
5. Position the drainage hose into a drain or container.



**New Pig**

One Pork Avenue  
Tipton, PA 16684-0304

[newpig.com](http://newpig.com)

North America: **1-800-468-4647**

Europe: **+31 (0)76 596 92 50**

China: **+86-21-400 921 5178**

PIG, PIG logo are registered trademarks in USA and other countries. See [tm.newpig.com](http://tm.newpig.com)

UK: **0800 919 900**

Outside North America: **+1-814-684-0101**

502578 / 355345