

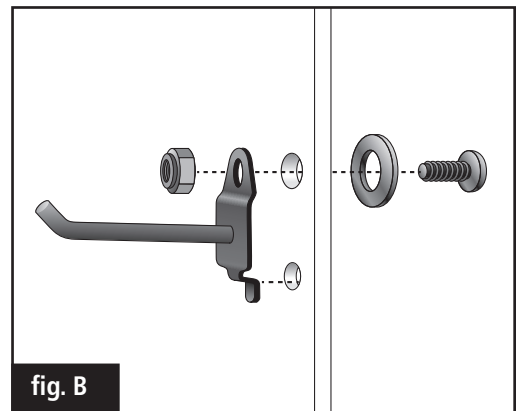
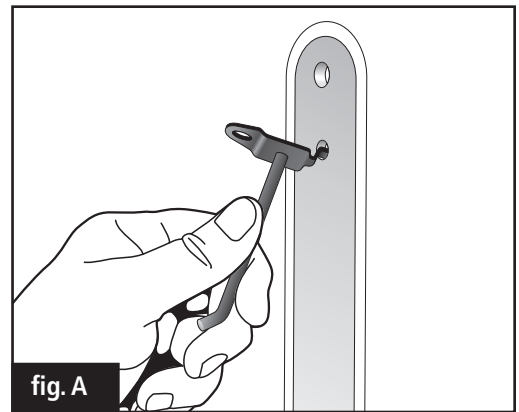
# 5S Shadow Boards

The guide on the following page(s) was provided by the supplier. New Pig Corporation assumes no responsibility, obligation, or liability in conjunction with the use or misuse of the information.

# 5S Shadow Boards

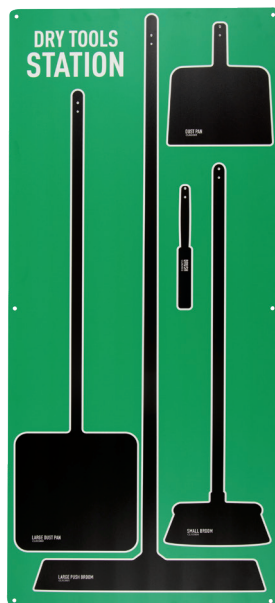
## HARDWARE ASSEMBLY INSTRUCTIONS

- Step 1:** Attach small hangers to board by placing tab into bottom hole. Position the hanger perpendicular to the board so tab enters hole at a 90° angle. (Fig. A)
- Step 2:** Pivot hanger upward to align hole in hanger with top hole in board.
- Step 3:** From back of board, place bolt through washer and board into hole in hanger. (Fig. B)
- Step 4:** Secure nut onto bolt from front of board. Tighten assembly using Philips head screwdriver with pliers/wrench on nut.
- Step 5:** Repeat Steps 1–4 until all small hangers are attached.
- Step 6:** Attach Bracket (Wet Tool Station only) by aligning holes in hanger with holes on board. Follow Steps 3–4 to secure.
- Step 7:** Hang 5S Shadow Board in desired location. Predrilled holes accept cable ties, screws or other fasteners depending on your substrate.



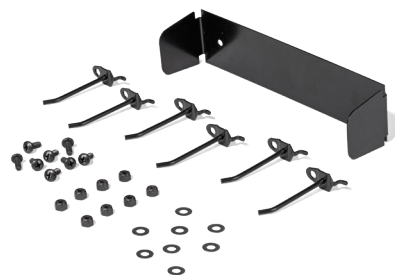
### Dry Tools Station Components

- 5 - Small Hangers
- 5 - Bolts
- 5 - Washers
- 5 - Nuts



### Wet Tools Station Components

- 6 - Small Hangers
- 1 - Bracket
- 8 - Bolts
- 8 - Washers
- 8 - Nuts



**New Pig**

One Pork Avenue  
Tipton, PA 16684-0304

[newpig.com](http://newpig.com)

North America: **1-800-468-4647**

Europe: **+31 (0)76 596 92 50**

China: **+86-21-400 921 5178**

PIG, PIG logo are registered trademarks in USA and other countries. See [tm.newpig.com](http://tm.newpig.com)

UK: **0800 919 900**

Outside North America: **+1-814-684-0101**

364935 / 166147