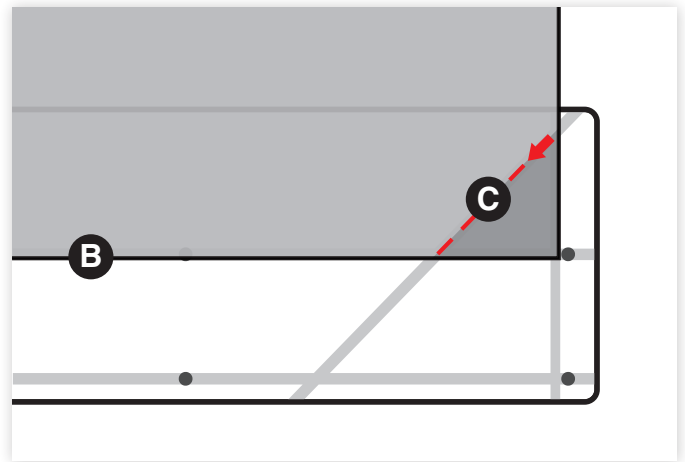


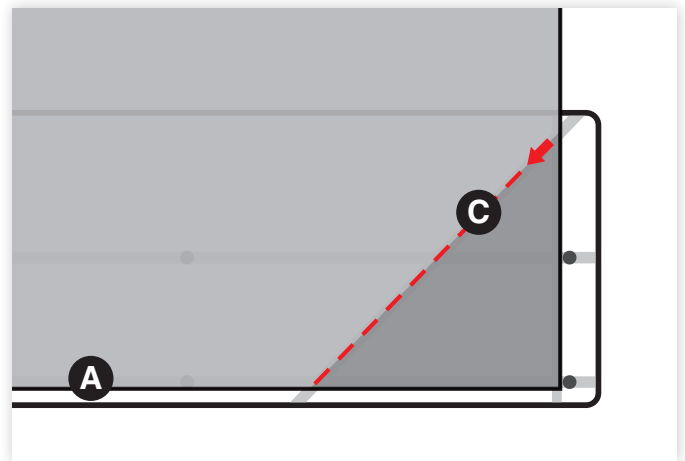
Cortes Pequeños En Diagonal

1. Corte el tapete con la guía interna (B).
2. Utilice la guía diagonal (C) en cada lado del tapete para cortar las esquinas.
3. Jale la placa hacia afuera desde la parte inferior del tapete para retirar los remanentes de las esquinas. Alise y fije el tapete con la placa.



Cortes Medianos En Diagonal

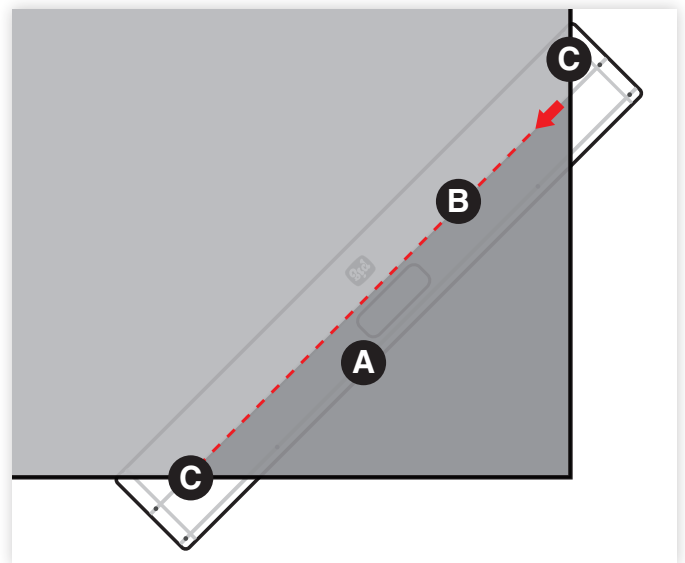
1. Corte el tapete con la guía externa (A).
2. Utilice la guía diagonal (C) en cada lado del tapete para cortar las esquinas.
3. Jale la placa hacia afuera desde la parte inferior del tapete para retirar los remanentes de las esquinas. Alise y fije el tapete con la placa.



Cortes Grandes En Diagonal

1. Coloque la placa debajo del tapete. Alinee los bordes del tapete con las guías diagonales (C).
2. Corte a lo largo de la guía interna (B) para los ángulos más grandes, o con la guía externa (A) para los ángulos más pequeños.
3. Retire el exceso de material. Alise y fije el tapete con la placa.

NOTA: Los cortadores para cajas y los cuchillos estándar dañarán la Placa de Instalación. New Pig recomienda usar únicamente el Cuchillo de Seguridad (GRP012) junto con la Placa de Instalación (GRP001.) Estos accesorios están disponibles en conjunto (GRP005) en newpig.com.



PIG Grippy Mat is available from New Pig and our fine distribution partners. Visit www.grippy.com or call to learn more.



New Pig
One Pork Avenue
Tipton, PA 16684-0304

grippy.com

North America: 1-855-474-7791

Europe: +31 (0)76 596 92 50

UK: 0800 919 900

Outside North America: +1-814-684-0101

PIG, PIG logo are registered trademarks in USA and other countries. See tm.newpig.com



How To Use the Grippy Mat Installation Board

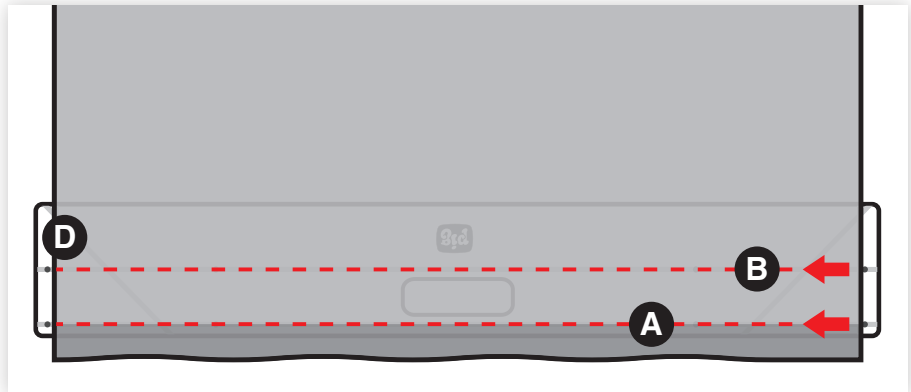
The PIG Grippy Mat Installation Board is loaded with features to make alignment and cutting quick and easy. Follow the steps below to get the professional results you want in a fraction of the time.



- A. Outer Cutting Guide
- B. Inner Cutting Guide
- C. Diagonal Cutting Guides (2)
- D. Edge Guides (2)
- E. Guide Holes (8)

Straight Cuts

1. Place the Board underneath the mat.
2. Line up Edge Guides (D) on both sides with the edges of the mat.
3. Use the Outer or Inner Guide (A or B) to cut the width of the mat.
4. Place the knife in the Guide groove and slide across the width to cut the mat. Remove excess material. Smooth and secure the mat with the Board.



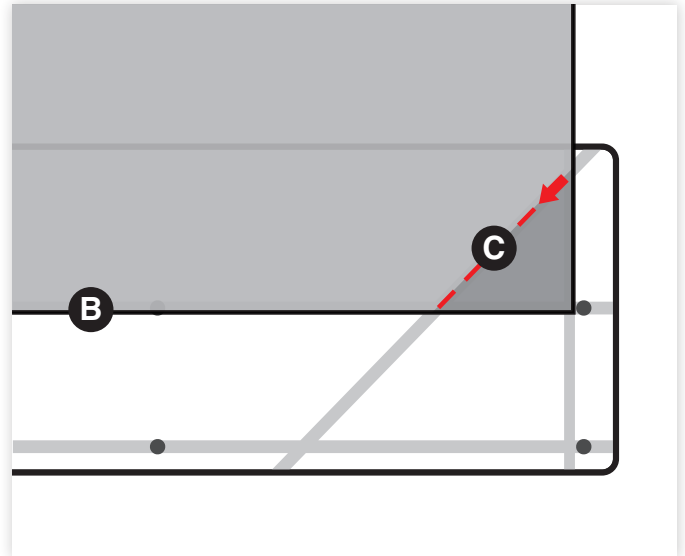
Smoothing And Securing The Mat

1. Hold the Board at a slight angle.
2. Push down as you move forward over the surface of the mat to secure the mat to the floor and remove air bubbles.
3. Work your way from one end of the mat to the other, making sure that the surface is smooth and the mat is adhering properly.



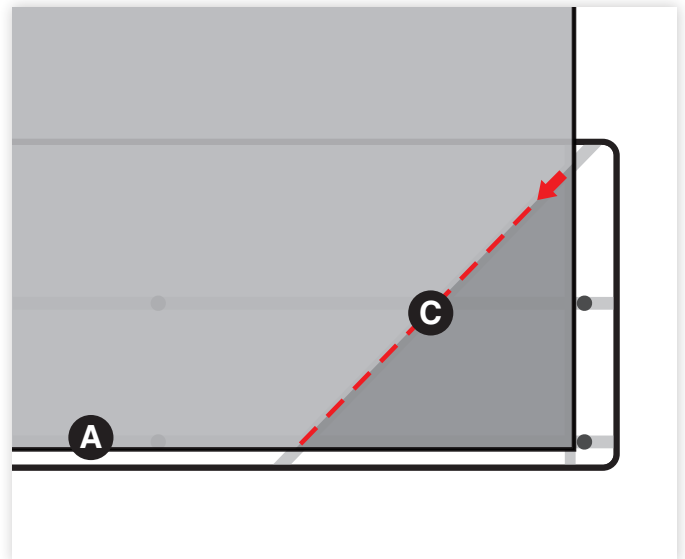
Small Diagonal Cuts

1. Trim the mat using the Inner Guide (B)
2. Use the Diagonal Guide (C) on each side of the Board to trim the corners
2. Pull the Board away from underside of mat to remove corner remnants. Smooth and secure the mat with the Board.



Medium Diagonal Cuts

1. Trim the mat using the Outer Guide (A)
2. Use the Diagonal Guide (C) on each side of the Board to trim the corners
2. Pull the Board away from underside of mat to remove corner remnants. Smooth and secure the mat with the Board.



Large Diagonal Cuts

1. Place the Board under the mat. Align the edges of the mat with the Diagonal Guides (C).
2. Cut along the Inner Guide (B) for the largest angles or Outer Guide (A) for smaller angles.
2. Remove excess material. Smooth and secure the mat with the Board.

NOTE: Box cutters and standard utility knives will damage the Installation Board. New Pig recommends using only the Safety Knife (GRP012) in combination with the Installation Board (GRP001.) These accessories are available as a set (GRP005) at newpig.com.

